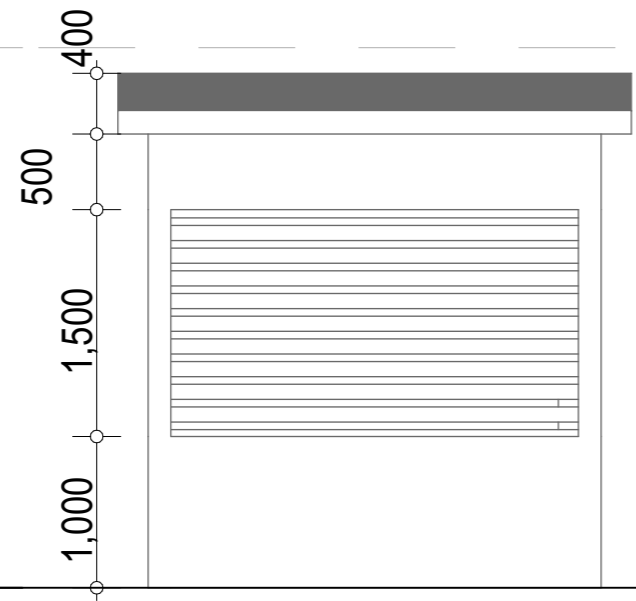
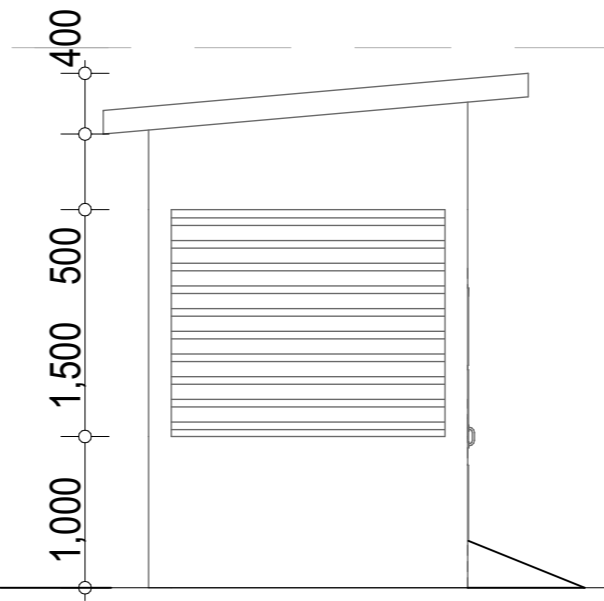


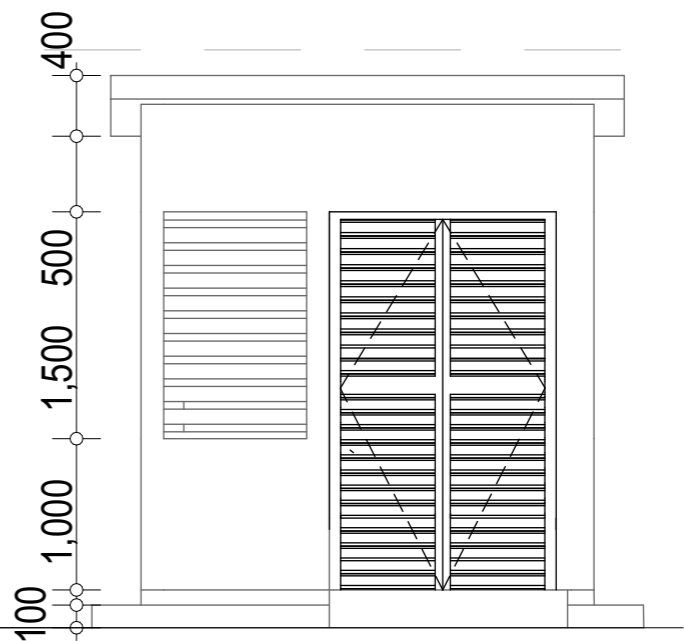
**L[-]-606 ELEVATION**  
1:50



**L[-]-603 ELEVATION**  
1:50

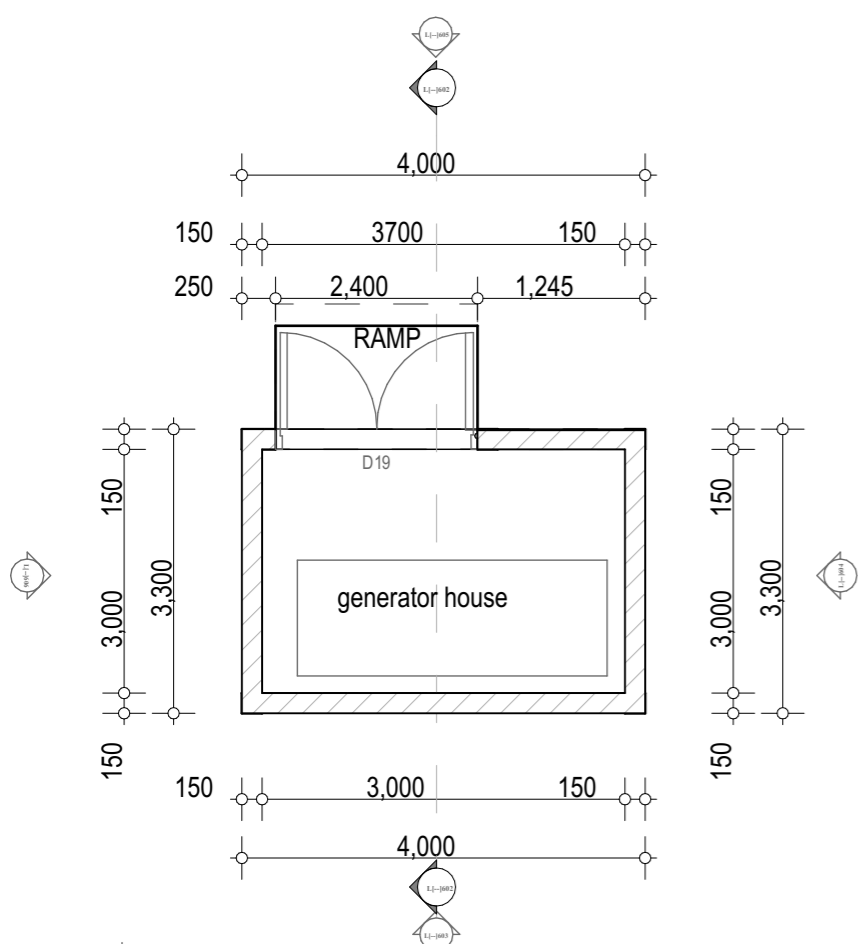


**L[-]-604 ELEVATION**  
1:50

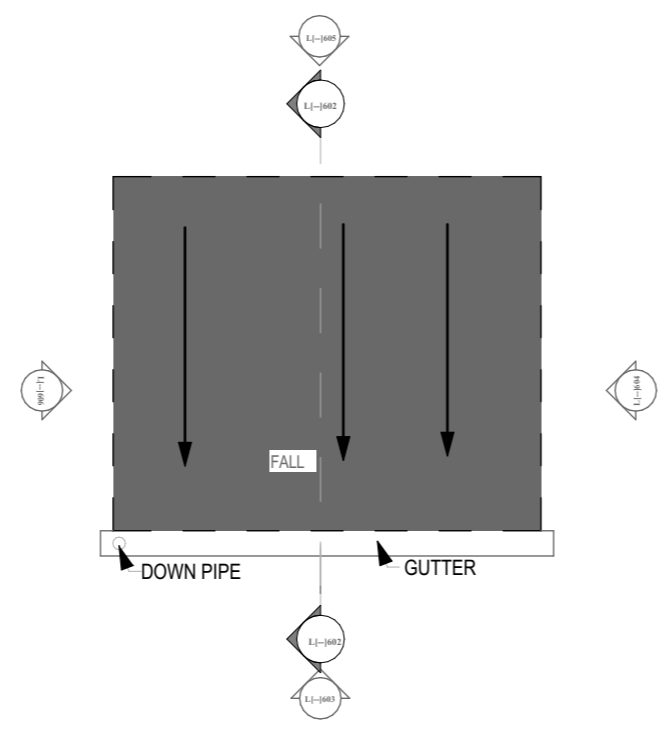


**L[-]-605 ELEVATION**  
1:50

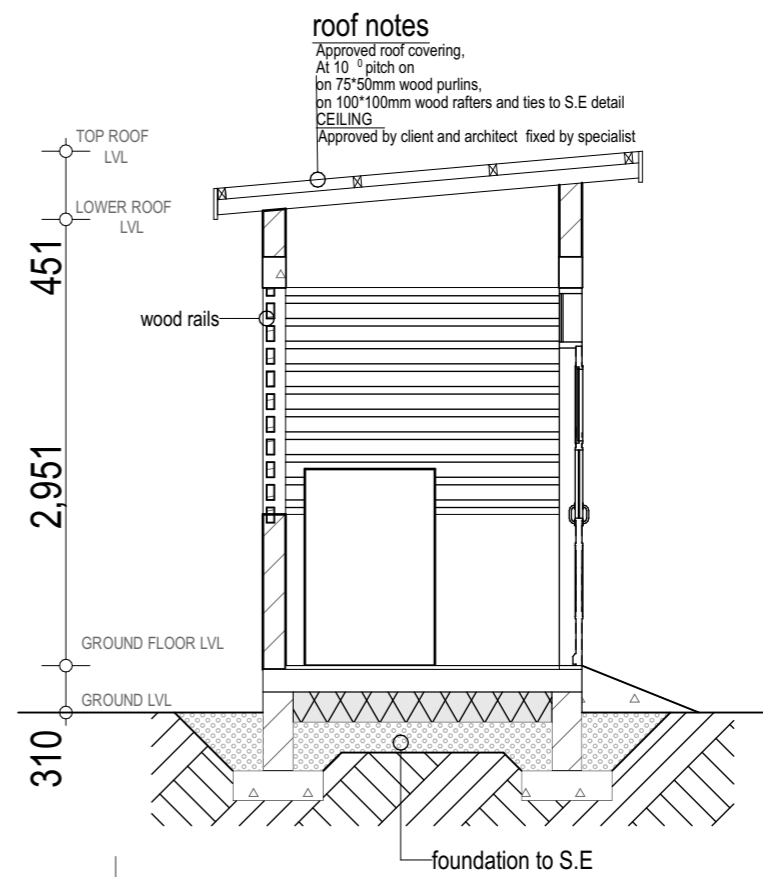
- NOTES**
1. This drawing is copyright
  2. Do not scale off this drawing
  3. All levels and dimensions to be checked on site before any building work commences
  4. Any discrepancies to be reported to the office of the consultant
  5. All work to be strictly in accordance with the standard specifications and notes
  6. This drawing is to be read in conjunction with specifications and all other relevant drawings
  7. Walls below 200mm thick to be reinforced with hoop iron at every alternate course
  8. Depth of foundations to be decided on site
  9. pv denotes permanent air vents over doors and windows as shown on drawings
  10. A single layer of 3-ply bituminous felt to be provided between masonry and r.c. work
  11. Drain pipes passing under tarmac, driveways, and buildings to be encased in 150mm thick concrete surround
  12. All reinforced concrete work to Structural Engineer's drawings
  13. All sanitary works to the entire satisfaction of MoH
  14. All roads, storm water drainage and foul sewerage to Civil Engineer's drawings



**L[-]-600 GROUND PLAN**  
1:50



**L[-]-601 ROOF PLAN**  
1:50



**L[-]-602 SECTION**  
1:20

**roof notes**  
Approved roof covering,  
At 10° pitch on  
on 75\*50mm wood purlins,  
on 100\*100mm wood rafters and ties to S.E detail  
**CEILING**  
Approved by client and architect fixed by specialist

Client:  
**ENABEL LSF & MINISTRY OF HEALTH**

Job:  
CONSULTANCY SERVICES FOR DESIGN AND SUPERVISION OF WORKS FOR CALL AND DISPATCH CENTRE IN ARUA REGIONAL REFERRAL HOSPITAL  
REF No. UGA2003-10017

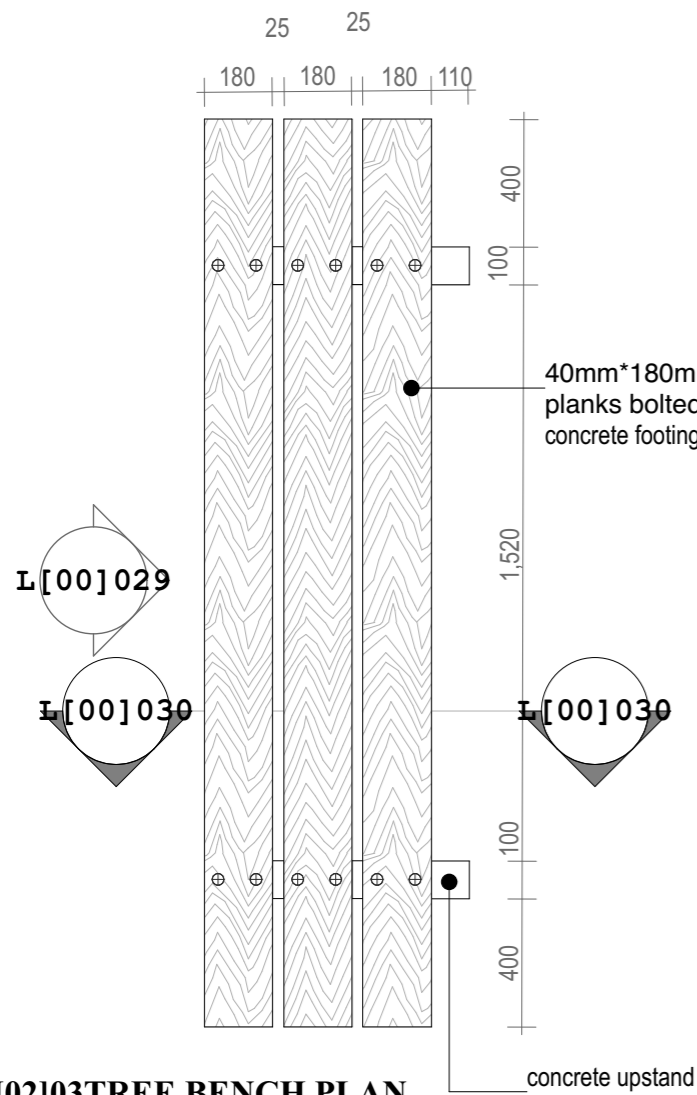
**STUDIONE DESIGN GROUP Ltd**  
P.O. Box 2473 KAMPALA, UGANDA  
Plot No: 77, Gabaakula Siro Rd, Kamugungu-  
Rukungu District  
TEL: +256 777 66457 / +256 768 22364  
E-mail: info@studionedg.com  
Web: www.studionedg.com  
ARCHITECTURE PROJECT MANAGEMENT ENGINEERING LANDSCAPE

Drawing Name  
L[-]-600-606, FLOOR PLAN, ELEVATIONS, SECTION, ROOF PLAN  
GENERATOR HOUSE

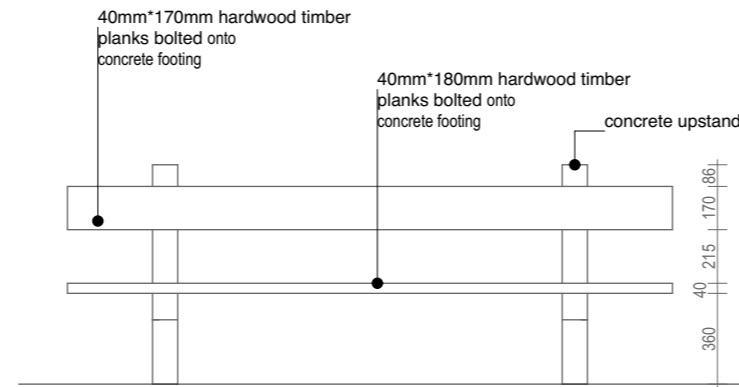
CONSTRUCTION DRAWINGS

Drawn by KH	Checked by ES
Date 02nd, MAR, 2023	Scale AS INDICATED ON DRAWING
Paper size A3	Drawing No.

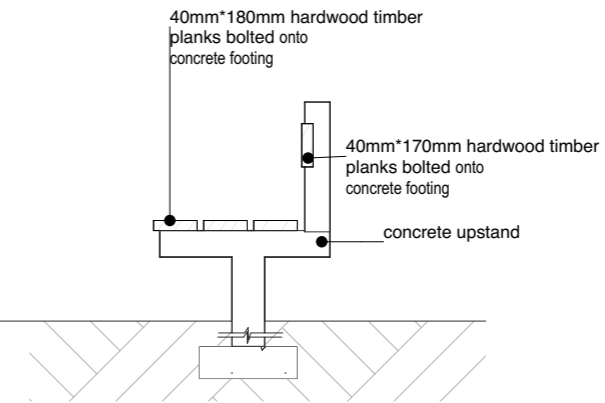
Arch. Ssinabulya Emmanuel  
ARC Reg No. 223 PC No. 23041



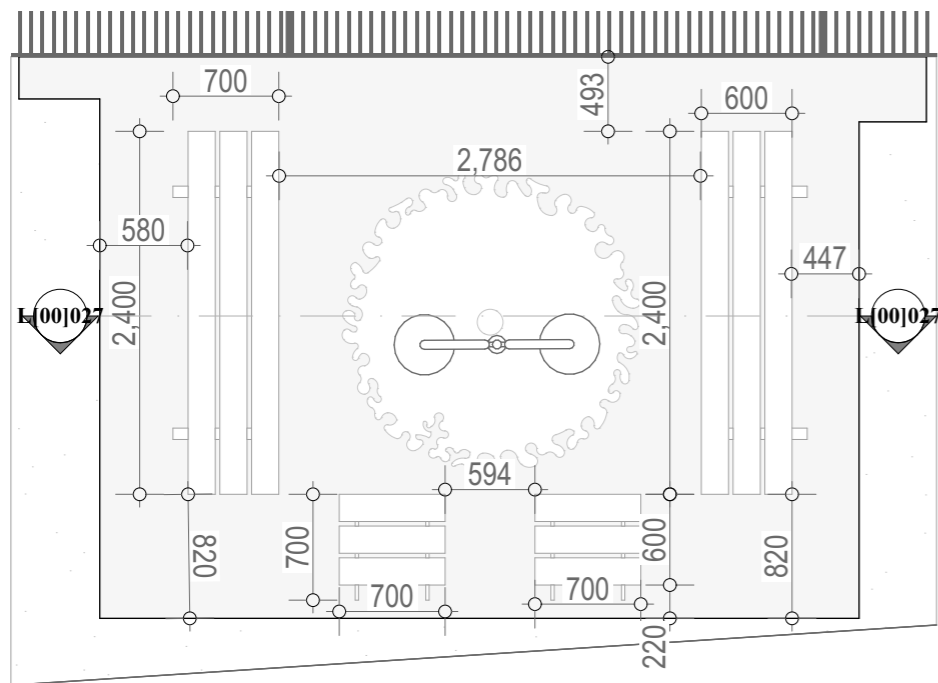
**A[02]03 TREE BENCH PLAN**  
1:50



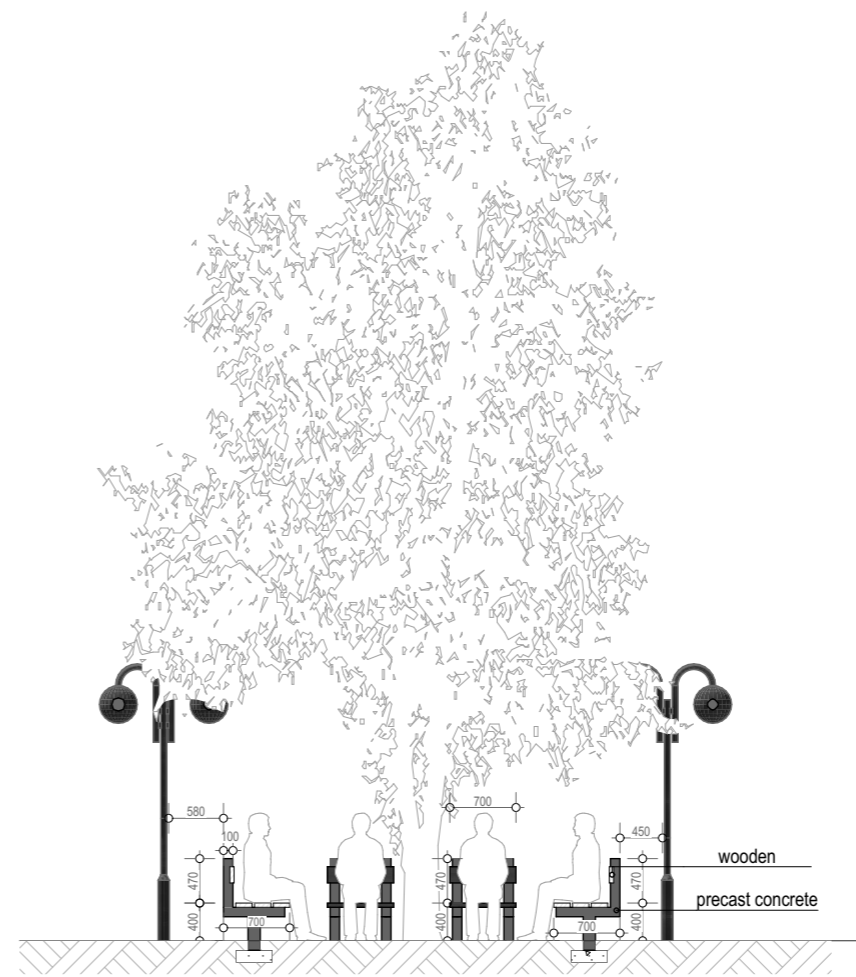
**A[02]04 TREE BENCH ELEVATION**  
1:50



**A[02]05 TREE BENCH ELEVATION**  
1:20



**A[02]01 TREE SITING AREA PLAN**  
1:50



**A[02]02 TREE BENCH PLAN**  
1:50

**NOTES**

1. This drawing is copyright
2. Do not scale off this drawing
3. All levels and dimensions to be checked on site before any building work commences
4. Any discrepancies to be reported to the office of the consultant
5. All work to be strictly in accordance with the standard specifications and notes
6. This drawing is to be read in conjunction with specifications and all other relevant drawings
7. Walls below 200mm thick to be reinforced with hoop iron at every alternate course
8. Depth of foundations to be decided on site
9. pv denotes permanent air vents over doors and windows as shown on drawings
10. A single layer of 3-ply bituminous felt to be provided between masonry and r.c. work
11. Drain pipes passing under tarmac, driveways, and buildings to be encased in 150mm thick concrete surround
12. All reinforced concrete work to Structural Engineer's drawings
13. All sanitary works to the entire satisfaction of MoH
14. All roads, storm water drainage and foul sewerage to Civil Engineer's drawings

Client :

**ENABEL LSF  
&  
MINISTRY OF HEALTH**

Job :

CONSULTANCY SERVICES FOR DESIGN AND SUPERVISION OF WORKS FOR CALL AND DISPATCH CENTRE IN ARUA REGIONAL REFERRAL HOSPITAL

REF No. UGA2003-10017

STUDIONE DESIGN GROUP Ltd



P.O. Box 24733 KAMPALA, UGANDA  
Plot No: 777, Gabaibika Lane Rd, Kamugasa  
Rukungu Division

TEL: +256 777 664577 / +256 768 223864  
E-mail: info@studionedg.com  
Web: www.studionedg.com

ARCHITECTURE | PROJECT MANAGEMENT | ENGINEERING | LANDSCAPE

Drawing Name

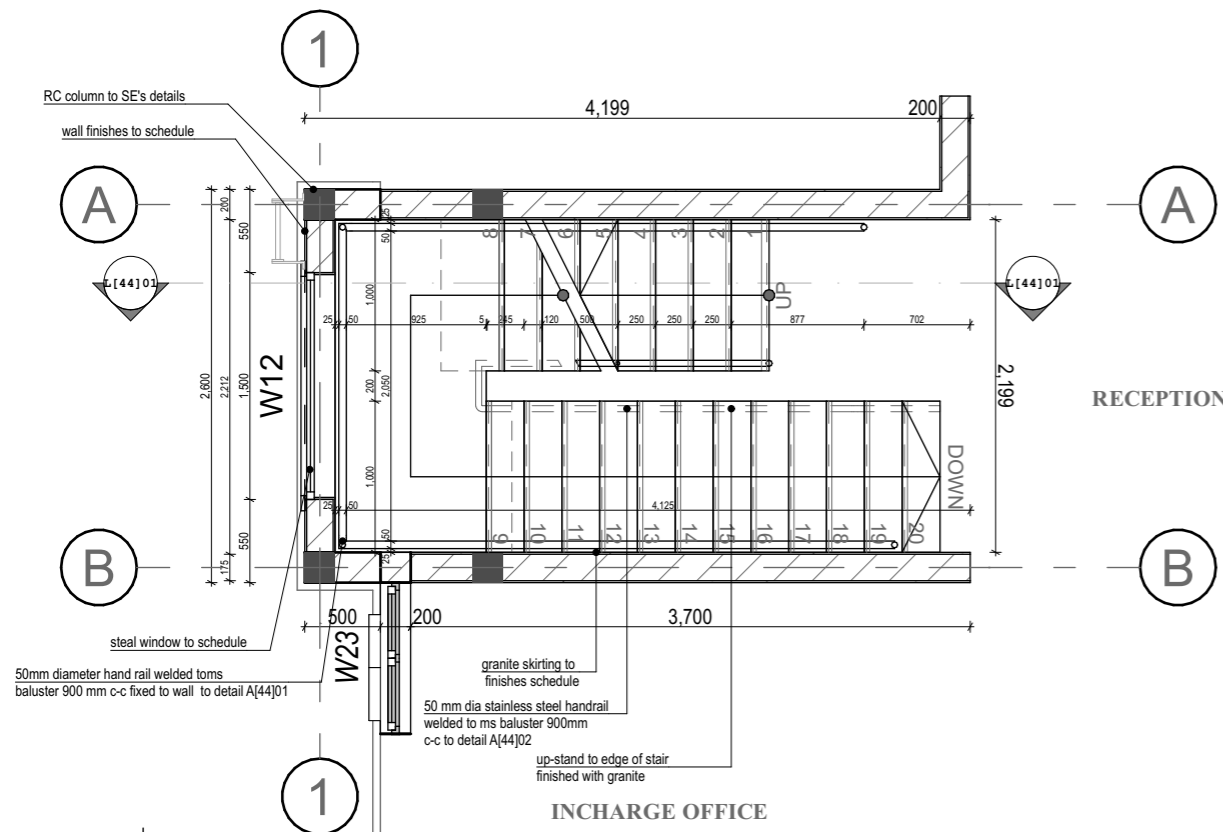
A[02]01-05 TREE BENCH DETAILS

CONSTRUCTION DRAWINGS

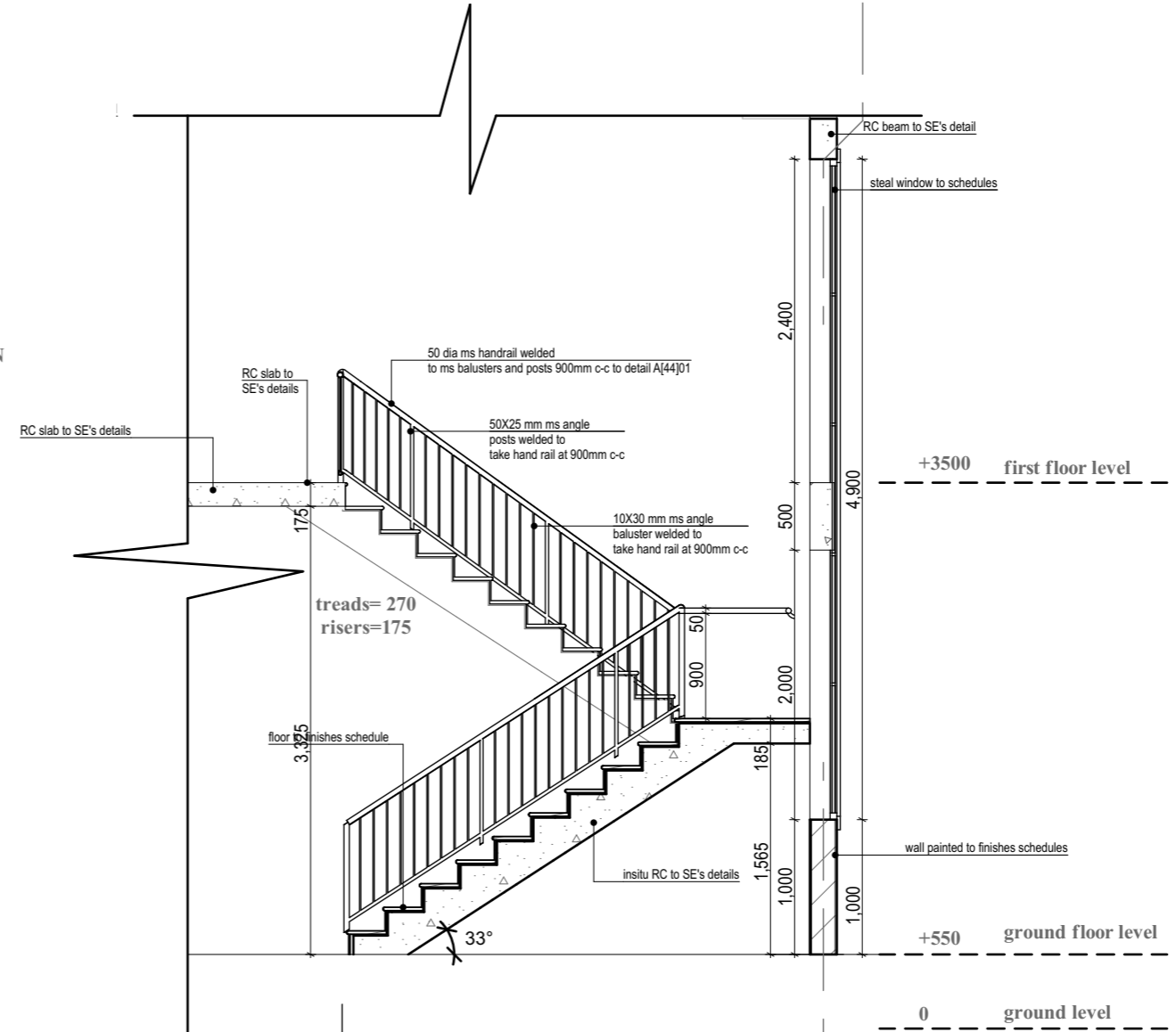
Drawn by KH	Checked by ES
Date 02nd, MAR, 2023	Scale AS INDICATED ON DRAWING
Paper size A3	Drawing No.

Arch . Ssinabulya Emmanuel

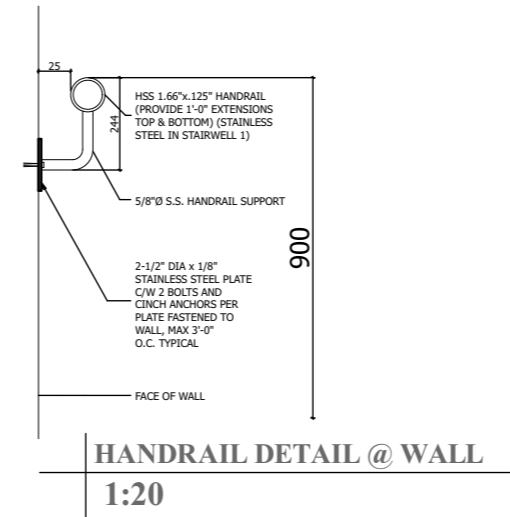
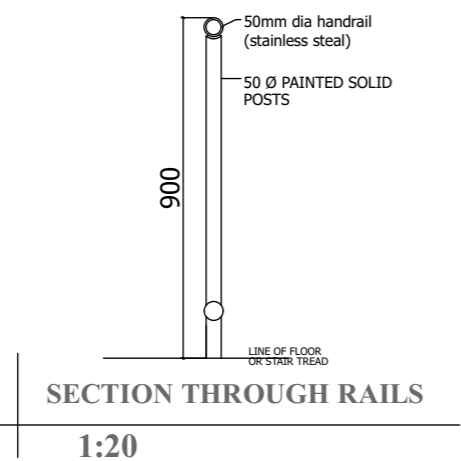
ARC Reg No. 223 PC No. 23041



L[44]100 RECEPTION STAIR CASE PLAN  
1:50



L[44]102 STAIR DETAILS  
1:50



- NOTES
1. This drawing is copyright
  2. Do not scale off this drawing
  3. All levels and dimensions to be checked on site before any building work commences
  4. Any discrepancies to be reported to the office of the consultant
  5. All work to be strictly in accordance with the standard specifications and notes
  6. This drawing is to be read in conjunction with specifications and all other relevant drawings
  7. Walls below 200mm thick to be reinforced with hoop iron at every alternate course
  8. Depth of foundations to be decided on site
  9. pv denotes permanent air vents over doors and windows as shown on drawings
  10. A single layer of 3-ply bituminous felt to be provided between masonry and r.c. work
  11. Drain pipes passing under tarmac, driveways, and buildings to be encased in 150mm thick concrete surround
  12. All reinforced concrete work to Structural Engineer's drawings
  13. All sanitary works to the entire satisfaction of MoH
  14. All roads, storm water drainage and foul sewerage to Civil Engineer's drawings

Client:  
**ENABEL LSF & MINISTRY OF HEALTH**

Job:  
CONSULTANCY SERVICES FOR DESIGN AND SUPERVISION OF WORKS FOR CALL AND DISPATCH CENTRE IN ARUA REGIONAL REFERRAL HOSPITAL  
REF No. UGA2003-10017

STUDIONE DESIGN GROUP Ltd

P.O. Box 2473 KAMPALA, UGANDA  
Plot No: 777, Gabaikaka Lane Rd, 4th Floor - Rubaga Division  
TEL: +256 777 664577 / +256 786 223864  
E-mail: info@studionedg.com  
Web: www.studionedg.com  
ARCHITECTURE | PROJECT MANAGEMENT | ENGINEERING | LANDSCAPE

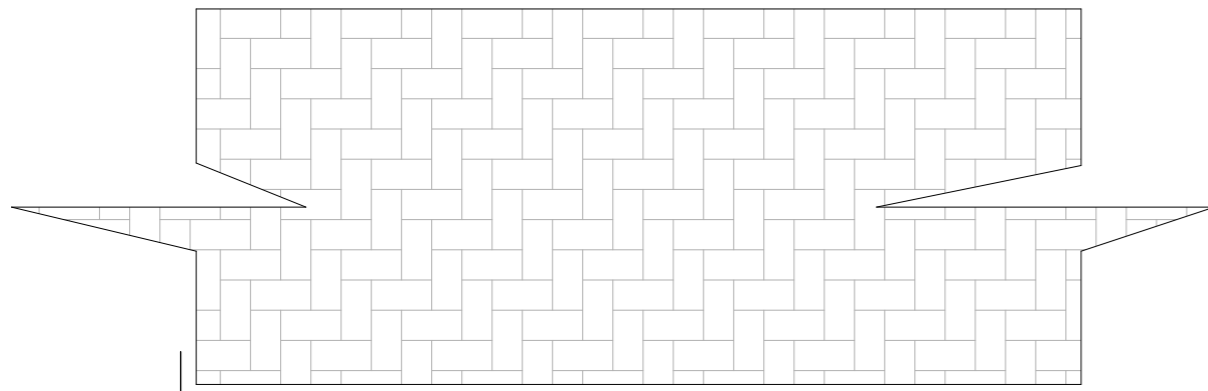
Drawing Name  
L[44]100,1002 STAIR DTAILS

CONSTRUCTION DRAWINGS

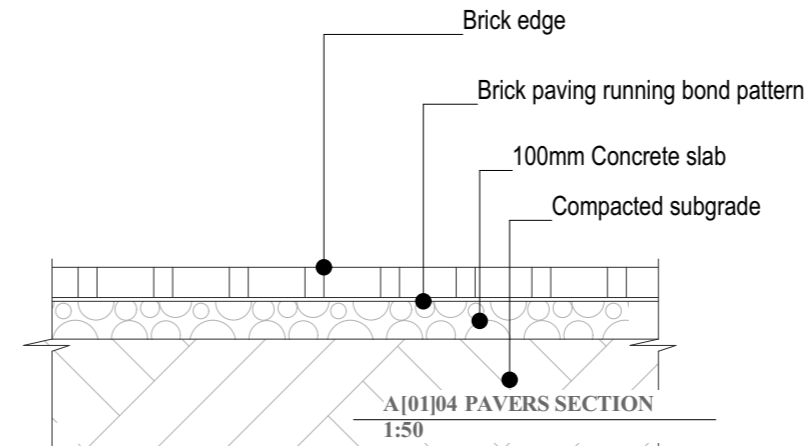
Drawn by KH	Checked by ES
Date 02nd, MAR, 2023	Scale AS INDICATED ON DRAWING
Paper size A3	Drawing No.

Arch. Ssinabulya Emmanuel  
ARC Reg No. 223 PC No. 23041



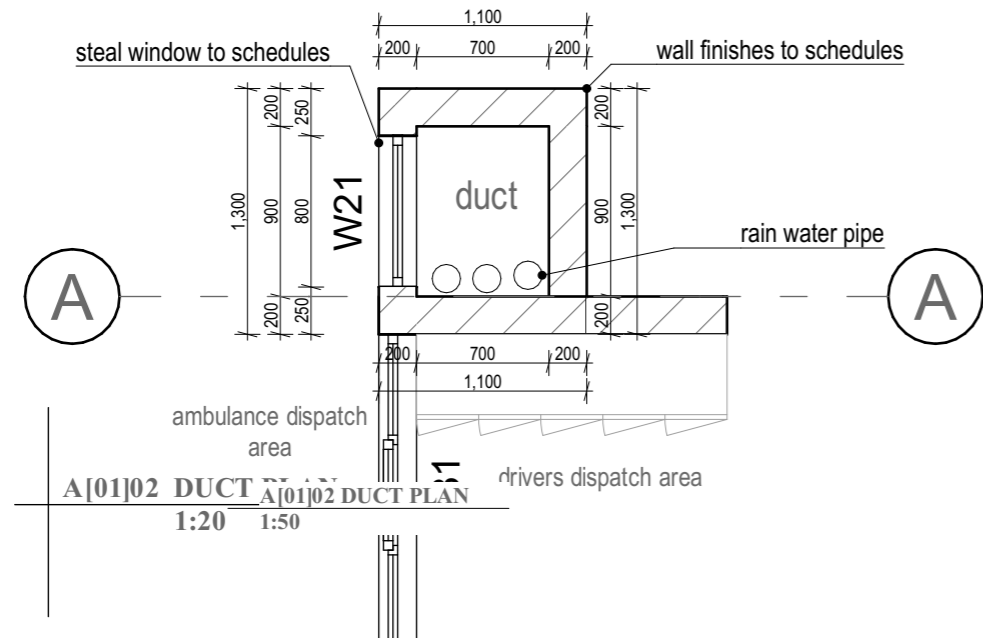


A[01]05 PAVERS  
1:50

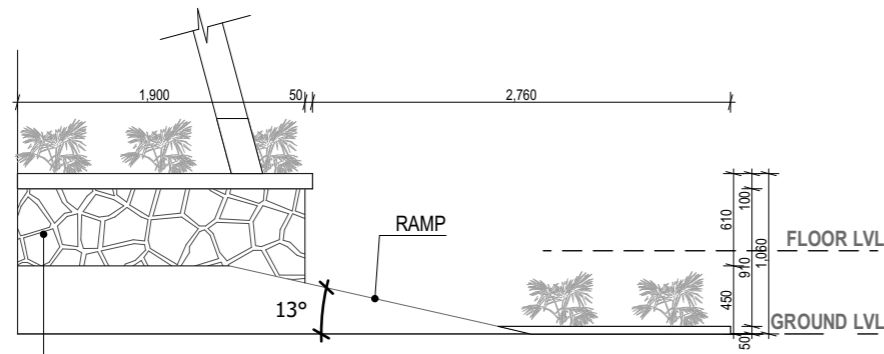


A[01]04 PAVERS SECTION  
1:50

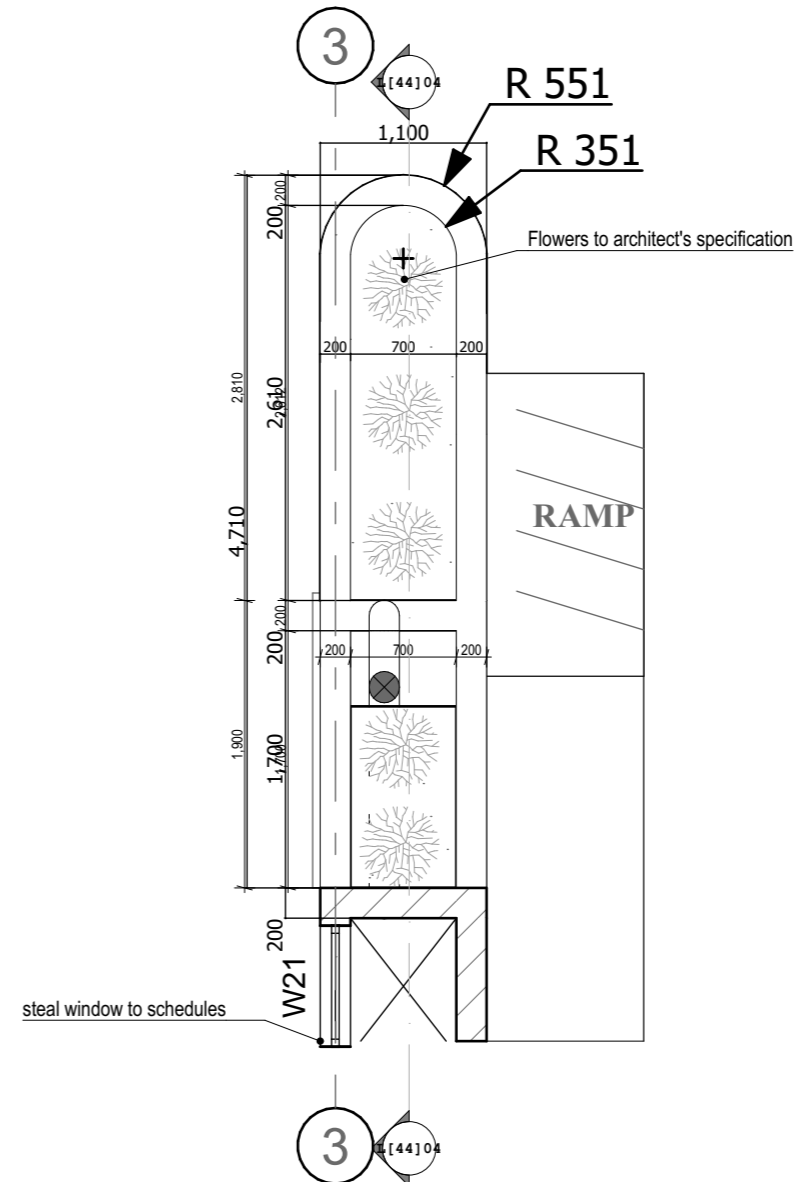
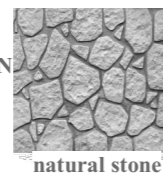
## A[01]04 PLANTER ELEVATION 1:20



A[01]02 DUCT A[01]02 DUCT PLAN  
1:20 1:50



A[01]03 PLANTER ELEVATION 1:50  
A[01]03 PLANTER PLAN 1:20



A[01]03 PLANTER PLAN  
1:50

### NOTES

1. This drawing is copyright
2. Do not scale off this drawing
3. All levels and dimensions to be checked on site before any building work commences
4. Any discrepancies to be reported to the office of the consultant
5. All work to be strictly in accordance with the standard specifications and notes
6. This drawing is to be read in conjunction with specifications and all other relevant drawings
7. Walls below 200mm thick to be reinforced with hoop iron at every alternate course
8. Depth of foundations to be decided on site
9. pv denotes permanent air vents over doors and windows as shown on drawings
10. A single layer of 3-ply bituminous felt to be provided between masonry and r.c. work
11. Drain pipes passing under tarmac, driveways, and buildings to be encased in 150mm thick concrete surround
12. All reinforced concrete work to Structural Engineer's drawings
13. All sanitary works to the entire satisfaction of MoH
14. All roads, storm water drainage and foul sewerage to Civil Engineer's drawings

Client :

**ENABEL LSF  
&  
MINISTRY OF HEALTH**

Job :

CONSULTANCY SERVICES FOR DESIGN AND SUPERVISION OF WORKS FOR CALL AND DISPATCH CENTRE IN ARUA REGIONAL REFERRAL HOSPITAL

REF No. UGA2003-10017

STUDIONE DESIGN GROUP Ltd



P.O. Box 2473 KAMPALA, UGANDA  
Plot No: 77, Gashaka Lane Rd, Kamugali-  
Ruhaga Division

TEL: +256 777 66457 / +256 788 22384  
E-mail: info@studionedg.com  
Web: www.studionedg.com

ARCHITECTURE PROJECT MANAGEMENT ENGINEERING LANDSCAPE

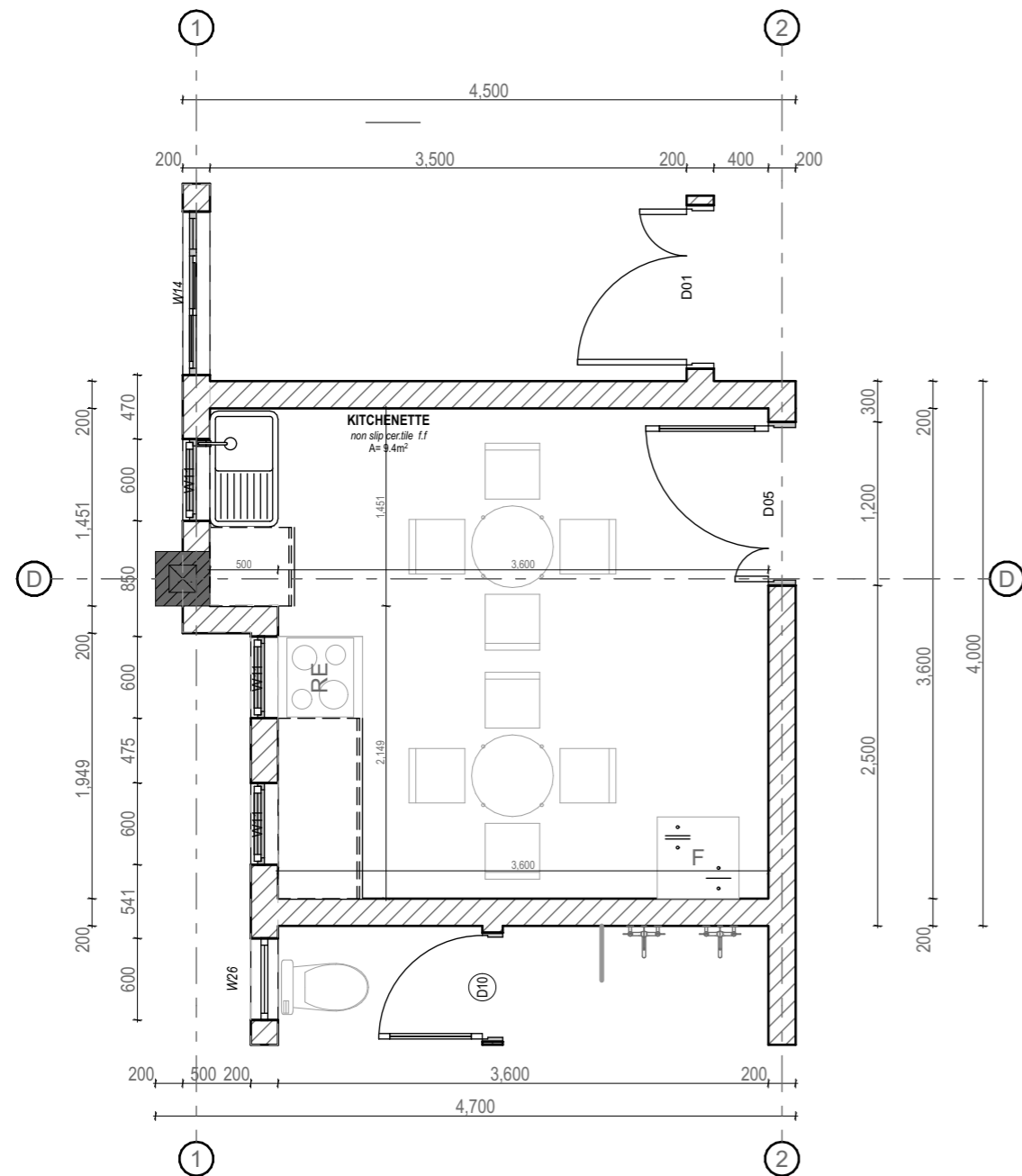
Drawing Name  
A[01]01-05 PLANTER, DUCT AND  
PAVER DETAILS

CONSTRUCTION DRAWINGS

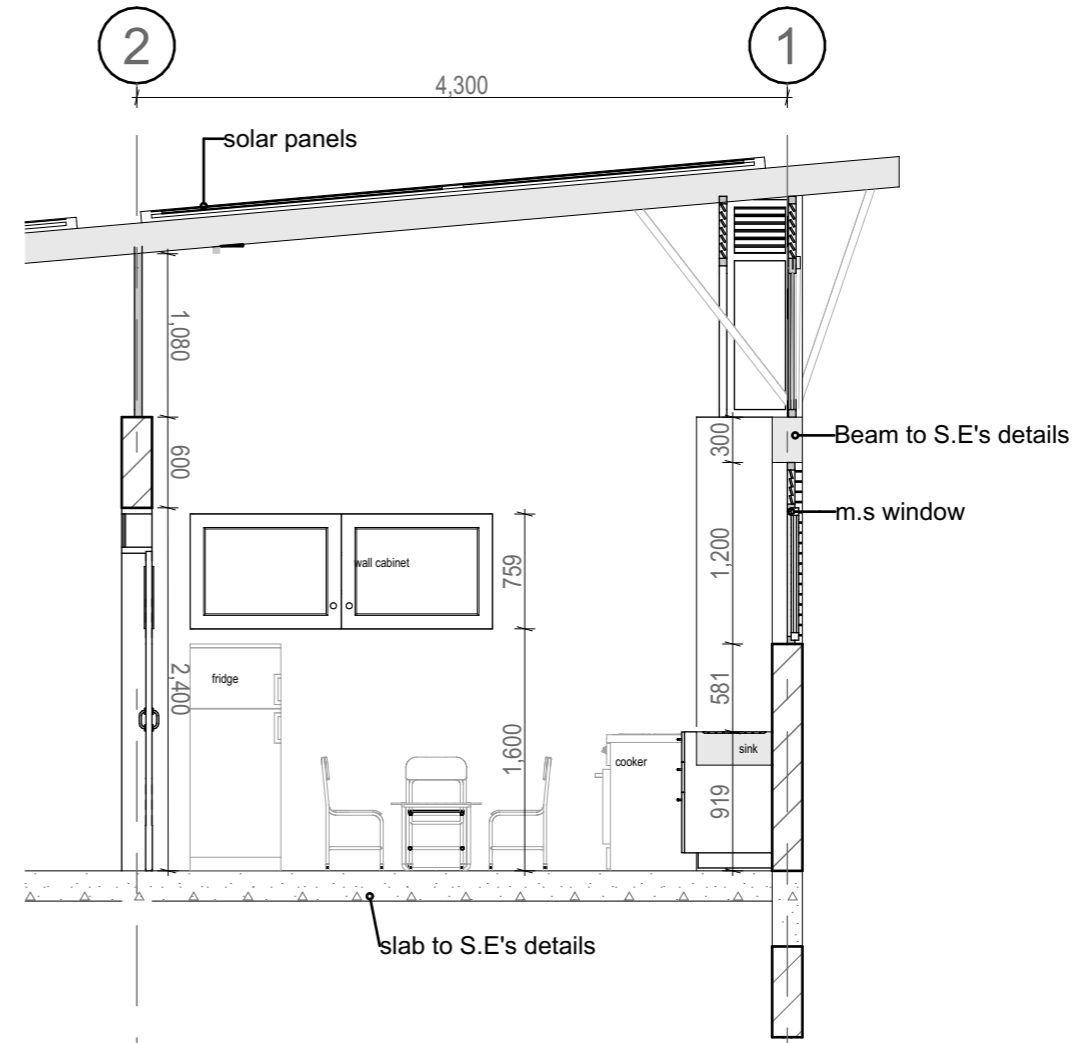
Drawn by KH	Checked by ES
Date 02nd, MAR, 2023	Scale AS INDICATED ON DRAWING
Paper size A3	Drawing No.

Arch . Ssinabulya Emmanuel

ARC Reg No. 223 PC No. 23041



L[73]101 FIRST FLOOR KITCHEN DETAILS  
1:50



L[73]101 FIRST FLOOR KITCHEN DETAILS  
1:50

NOTES

1. This drawing is copyright
2. Do not scale off this drawing
3. All levels and dimensions to be checked on site before any building work commences
4. Any discrepancies to be reported to the office of the consultant
5. All work to be strictly in accordance with the standard specifications and notes
6. This drawing is to be read in conjunction with specifications and all other relevant drawings
7. Walls below 200mm thick to be reinforced with hoop iron at every alternate course
8. Depth of foundations to be decided on site
9. pv denotes permanent air vents over doors and windows as shown on drawings
10. A single layer of 3-ply bituminous felt to be provided between masonry and r.c. work
11. Drain pipes passing under tarmac, driveways, and buildings to be encased in 150mm thick concrete surround
12. All reinforced concrete work to Structural Engineer's drawings
13. All sanitary works to the entire satisfaction of MoH
14. All roads, storm water drainage and foul sewerage to Civil Engineer's drawings

Client :

**ENABEL LSF  
&  
MINISTRY OF HEALTH**

Job :

CONSULTANCY SERVICES FOR DESIGN AND SUPERVISION OF WORKS FOR CALL AND DISPATCH CENTRE IN ARUA REGIONAL REFERRAL HOSPITAL

REF No. UGA20003-10017

STUDIONE DESIGN GROUP Ltd



P.O. Box 2473 KAMPALA, UGANDA  
Plot No: 77, Ggollubika Siroo Rd, Lumumba  
Refuge Division

TEL: +256 777 66457 / +256 786 223864

E-mail: info@studionedg.com  
Web: www.studionedg.com

ARCHITECTURE PROJECT MANAGEMENT ENGINEERING LANDSCAPE

Drawing Name

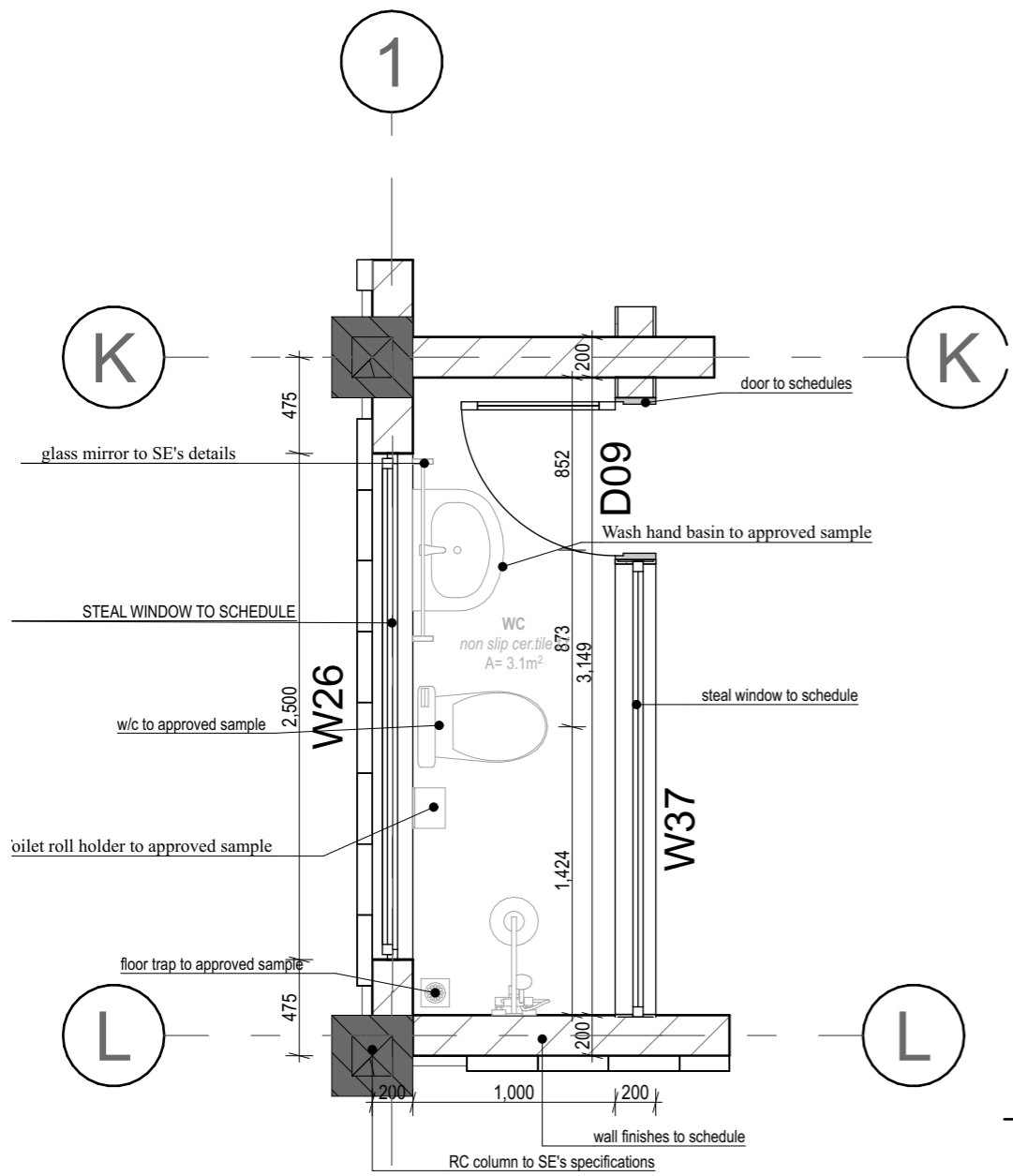
L[73]100,101 KITCHEN DETAILS

CONSTRUCTION DRAWINGS

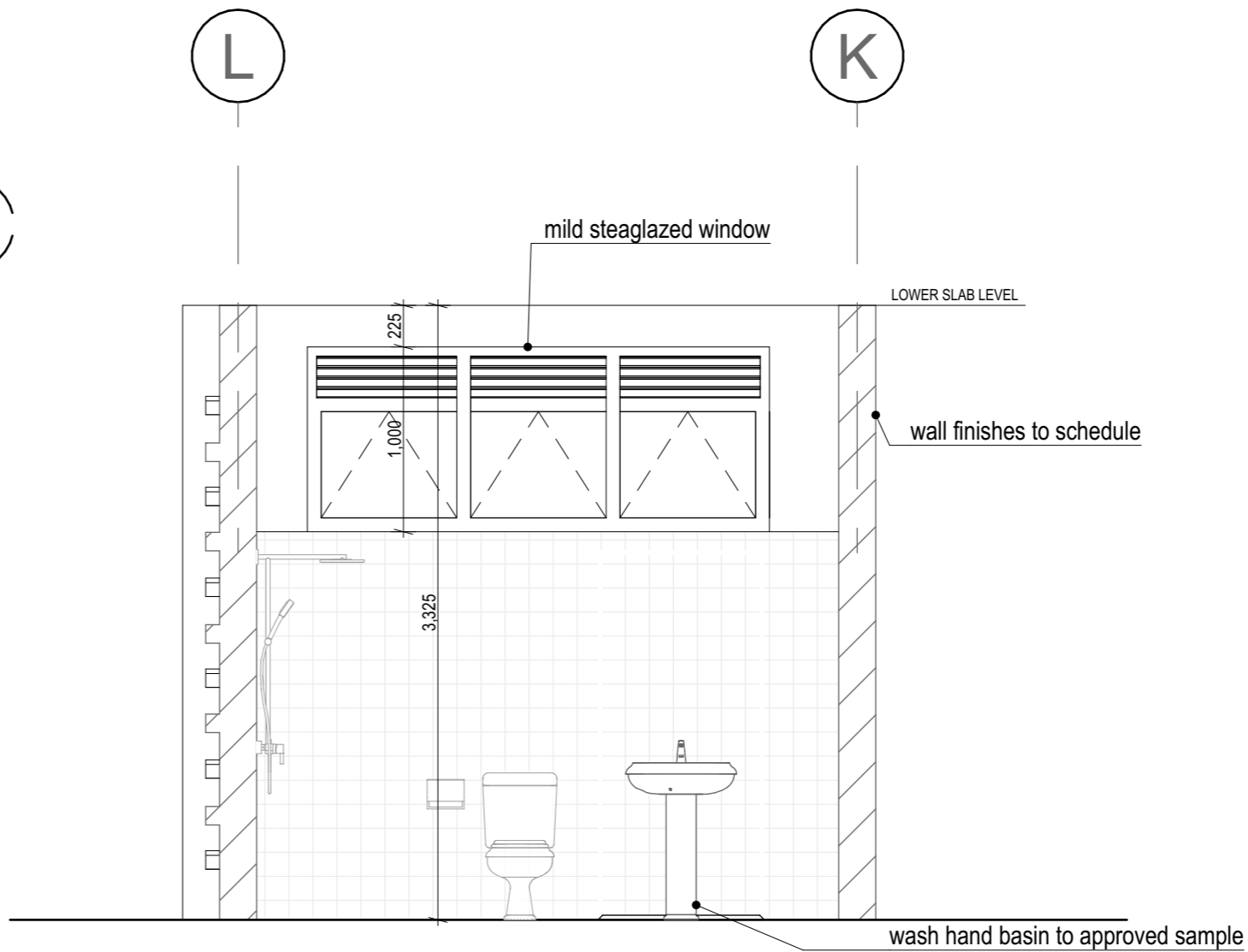
Drawn by KH	Checked by ES
Date 02nd, MAR, 2023	Scale AS INDICATED ON DRAWING
Paper size A3	Drawing No.

Arch. Ssinabulya Emmanuel

ARC Reg No. 223 PC No. 23041



**L[74]100 REST ROOM WC DETAILS**  
1:50



**L[74]101 REST ROOM WC DETAILS**  
1:50

**NOTES**

1. This drawing is copyright
2. Do not scale off this drawing
3. All levels and dimensions to be checked on site before any building work commences
4. Any discrepancies to be reported to the office of the consultant
5. All work to be strictly in accordance with the standard specifications and notes
6. This drawing is to be read in conjunction with specifications and all other relevant drawings
7. Walls below 200mm thick to be reinforced with hoop iron at every alternate course
8. Depth of foundations to be decided on site
9. pv denotes permanent air vents over doors and windows as shown on drawings
10. A single layer of 3-ply bituminous felt to be provided between masonry and r.c. work
11. Drain pipes passing under tarmac, driveways, and buildings to be encased in 150mm thick concrete surround
12. All reinforced concrete work to Structural Engineer's drawings
13. All sanitary works to the entire satisfaction of MoH
14. All roads, storm water drainage and foul sewerage to Civil Engineer's drawings

Client :

**ENABEL LSF  
&  
MINISTRY OF HEALTH**

Job :

CONSULTANCY SERVICES FOR DESIGN AND SUPERVISION OF WORKS FOR CALL AND DISPATCH CENTRE IN ARUA REGIONAL REFERRAL HOSPITAL

REF No. UGA20003-10017

STUDIONE DESIGN GROUP Ltd



P.O. Box 24733 KAMPALA, UGANDA  
Plot No: 777, Gabaibika, Kira Road, Kamugali-  
Rukungi Division  
TEL: +256 777 664577 / +256 786 223864  
E-mail: info@studionedg.com  
Web: www.studionedg.com

Drawing Name

**L[74]100,101 WC DETAILS**

CONSTRUCTION DRAWINGS

Drawn by KH	Checked by ES
Date 02nd, MAR, 2023	Scale AS INDICATED ON DRAWING
Paper size A3	Drawing No.

Arch . Ssinabulya Emmanuel

ARC Reg No. 223 PC No. 23041