

LEGEND

LIST OF MECHANICAL DRAWINGS

M-00 LEGEND,SYMBOLS & ABBREVIATIONS

M-01 DRAIN PLAN

M-02 WATER PLAN

M-03 HVAC PLAN

M-04 HVAC SYSTEM-DRAIN

R	REV. BY	DATE	DESCRIPTION

OWNER:—



Belgian development agency
Consulate General of Belgium

DESIGNER



RAMALLAH-PALESTINE
ATERA -MAIN ST.
NEAR HUDA STATION
TELEFAX: +972 2 2976448
EMAIL: APTEngineers22@gmail.com

PROJECT:

**Design of Electromechanical
Works for Enabel's 6th floor
Office in Ramallah**

DRAWING TITLE:


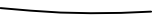
LEGEND,SYMBOLS & ABBREVIATIONS

DESIGN: F.I	DATE:
DRAWN: F.I	JULY.2023
CHECKED:K.IBSAIS	
APPROVED :	SCALE:
SHEET NO:	N.T.S





M-00

LEGEND




WATER PIPING SYSTEM

	16mm PVC HOT WATER PIPE
	16mm PVC COLD WATER PIPE

SANITARY SYSTEM

	Ø2" DRAIN PIPE NEW
	Ø2" AC DRAIN PIPE EXISTING
	4"/2" FLOOR TRAP NEW
	4" FLOOR TRAP EXISTING

HVAC SYSTEM

	FAN COIL UNIT (F.C.U)
	DIGITAL ROOM CONTROLLER
	CCSD CIRCULAR CEILING SUPPLY DIFFUSER

R	REV. BY	DATE	DESCRIPTION

OWNER:—



Belgian development agency
Consulate General of Belgium

DESIGNER



RAMALLAH—PALESTINE
ATERA —MAIN ST.
NEAR HUDA STATION
TELEFAX: +972 2 2976448
EMAIL: APTEngineers22@gmail.com

PROJECT:

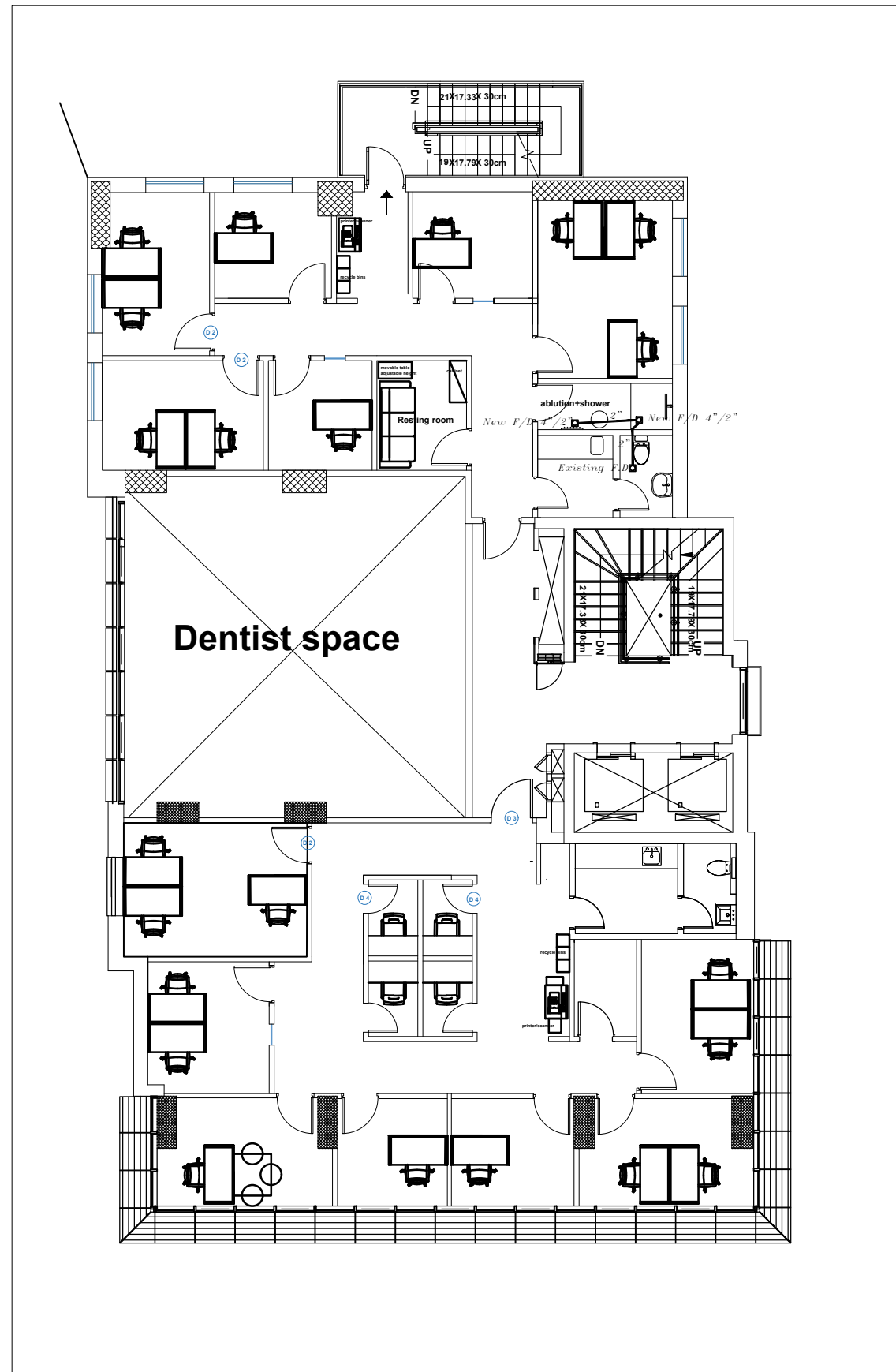
**Design of Electromechanical
Works for Enabel's 6th floor
Office in Ramallah**

DRAWING TITLE:

LEGEND,SYMBOLS & ABBREVIATIONS

DESIGN: F.I	DATE: JULY.2023
DRAWN: F.I	
CHECKED:K.IBSAIS	
APPROVED :	SCALE: N.T.S
SHEET NO:	

M-00



R	REV. BY	DATE	DESCRIPTION

OWNER:—



Belgian development agency
Consulate General of Belgium

DESIGNER



RAMALLAH—PALESTINE
ATERA —MAIN ST.
NEAR HUDA STATION
TELEFAX: +972 2 2976448
EMAIL: APTEngineers22@gmail.com

PROJECT:

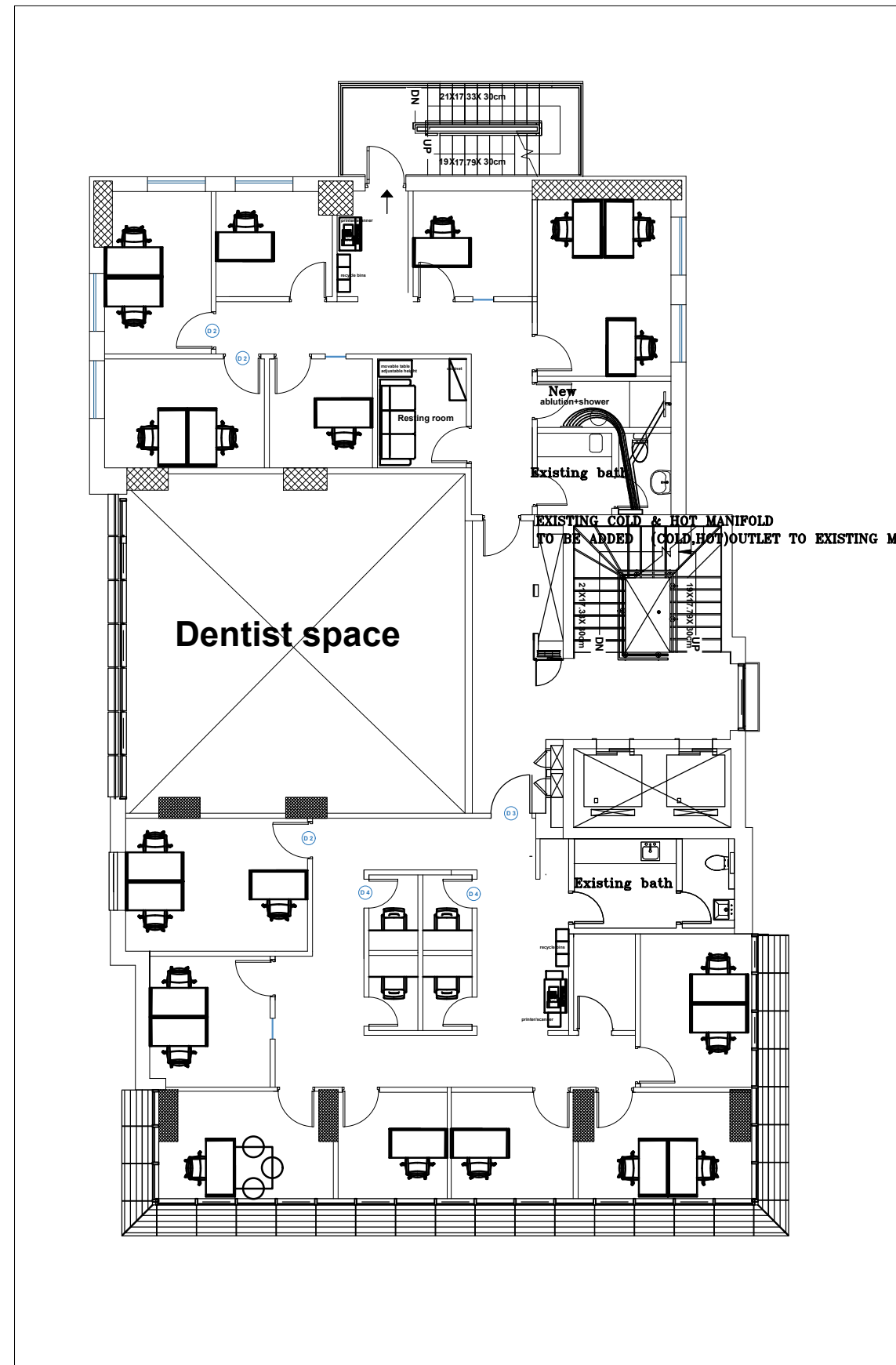
**Design of Electromechanical
Works for Enabel's 6th floor
Office in Ramallah**



DRAWING TITLE:

DRAIN PLAN

DESIGN: F.I	DATE: JULY.2023
DRAWN: F.I	
CHECKED:K.IBSAIS	
APPROVED :	SCALE:
SHEET NO:	N.T.S

M-01



 16mm PVC HOT WATER PIPE
 16mm PVC COLD WATER PIPE

R	REV. BY	DATE	DESCRIPTION

OWNER:-

 Belgian development agency
 Consulate General of Belgium

DESIGNER

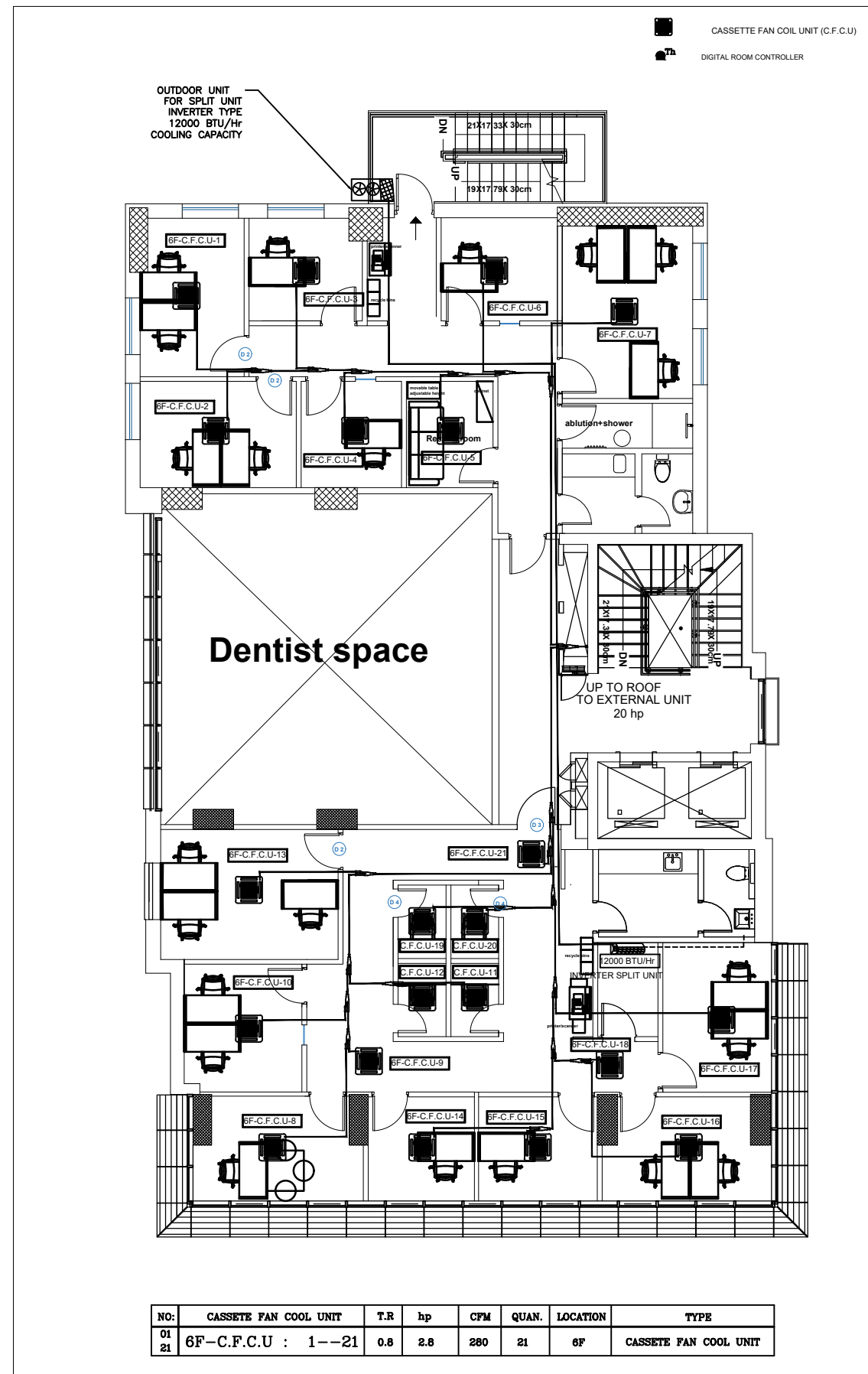
 RAMALLAH-PALESTINE
 ATERA -MAIN ST.
 NEAR HUDA STATION
 TELEFAX: +972 2 2976448
 EMAIL: APTEngineers22@gmail.com

PROJECT:
 Design of Electromechanical Works for Enabel's 6th floor Office in Ramallah

DRAWING TITLE:
LEGEND,SYMBOLS & ABBREVIATIONS


DESIGN: F.I	DATE: JULY.2023
DRAWN: F.I	
CHECKED:K.IBSAIS	
APPROVED :	SCALE:
SHEET NO:	1/100

M-02




R	REV. BY	DATE	DESCRIPTION

OWNER:—



Belgian development agency
Consulate General of Belgium

DESIGNER



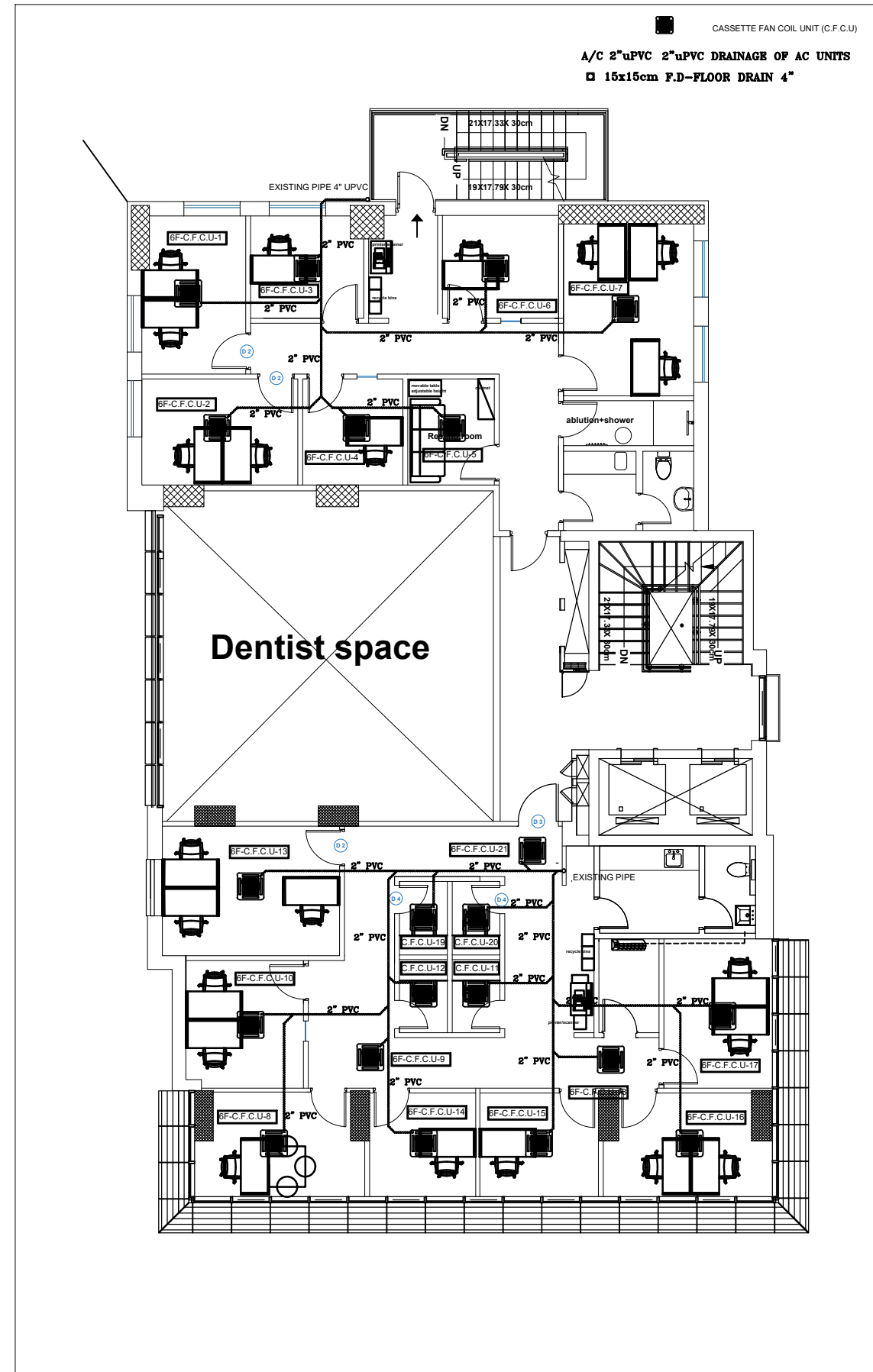
RAMALLAH—PALESTINE
ATERA —MAIN ST.
NEAR HUDA STATION
TELEFAX: +972 2 2976448
EMAIL: APTEngineers22@gmail.com

PROJECT:
Design of Electromechanical Works for Enabel's 6th floor Office in Ramallah

DRAWING TITLE:
HVAC SYSTEM

DESIGN: F.I	DATE: JULY.2023
DRAWN: F.I	
CHECKED:K.IBSAIS	
APPROVED :	SCALE:
SHEET NO:	1/100

M-03



R	REV. BY	DATE	DESCRIPTION

OWNER:—



Belgian development agency
Consulate General of Belgium

DESIGNER



RAMALLAH-PALESTINE
ATERA -MAIN ST.
NEAR HUDA STATION
TELEFAX: +972 2 2976448
EMAIL: APTEngineers22@gmail.com

PROJECT:

**Design of Electromechanical
Works for Enabel's 6th floor
Office in Ramallah**

DRAWING TITLE:

HVAC SYSTEM-DRAIN

DESIGN: F.I	DATE:
DRAWN: F.I	JULY.2023
CHECKED:K.IBSAIS	
APPROVED :	SCALE:
SHEET NO:	1/100

M-04