

THE TRANSFORMATION WORKS AND FURNITURE SUPPLY AT JERUSALEM AMERICAN SCHOOL FABLAB

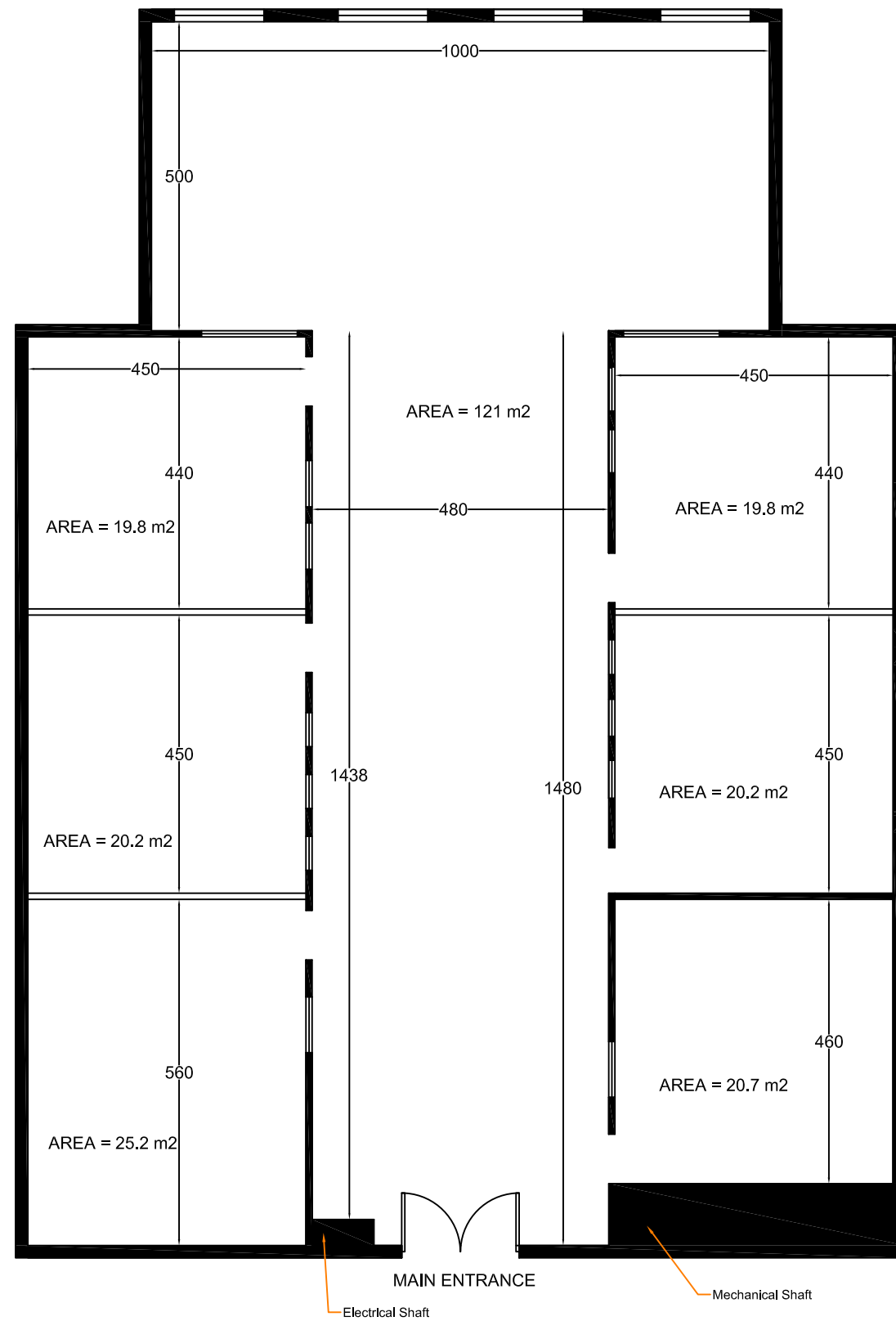
Tender Ref.: PZA170421T-10054



Contracting Authority:



MARCH 2024



Notes

- (1) All Dimensions Are In Cm.
- (2) All Levels Are In Meter
- (3) Any Missing or Unclear Detail And All Fastening Systems For All Elements Shall be Approved by The Supervisor.

Legend:

- Stone Wall
- Brick Wall
- Reinforced Concrete
- Gypsum Wall
- Main Electrical Board
- 3 Phases
- Single Socket
- Twin Socket
- Server Box
- Projector
- Single Socket - W.P.
- Twin Socket - W.P.
- Wire Board
- Camera
- Sound System
- Single Switch
- Fire Extinguisher
- Fire Alarm
- Double Switch
- Triple Switch
- Telephone
- T.V.
- Ventilation Fan
- Gas Supply Box
- Water Supply Box
- A.C.

REVISIONS		
NO.	DRAWINGS	DATE
(1)		
(2)		
(3)		

Contracting Authority:



Enabel - Belgian Development Agency

Funded By:



Contract Title:

Public works contract for Fablab Transformation Works and Furniture Supply in Jerusalem American School

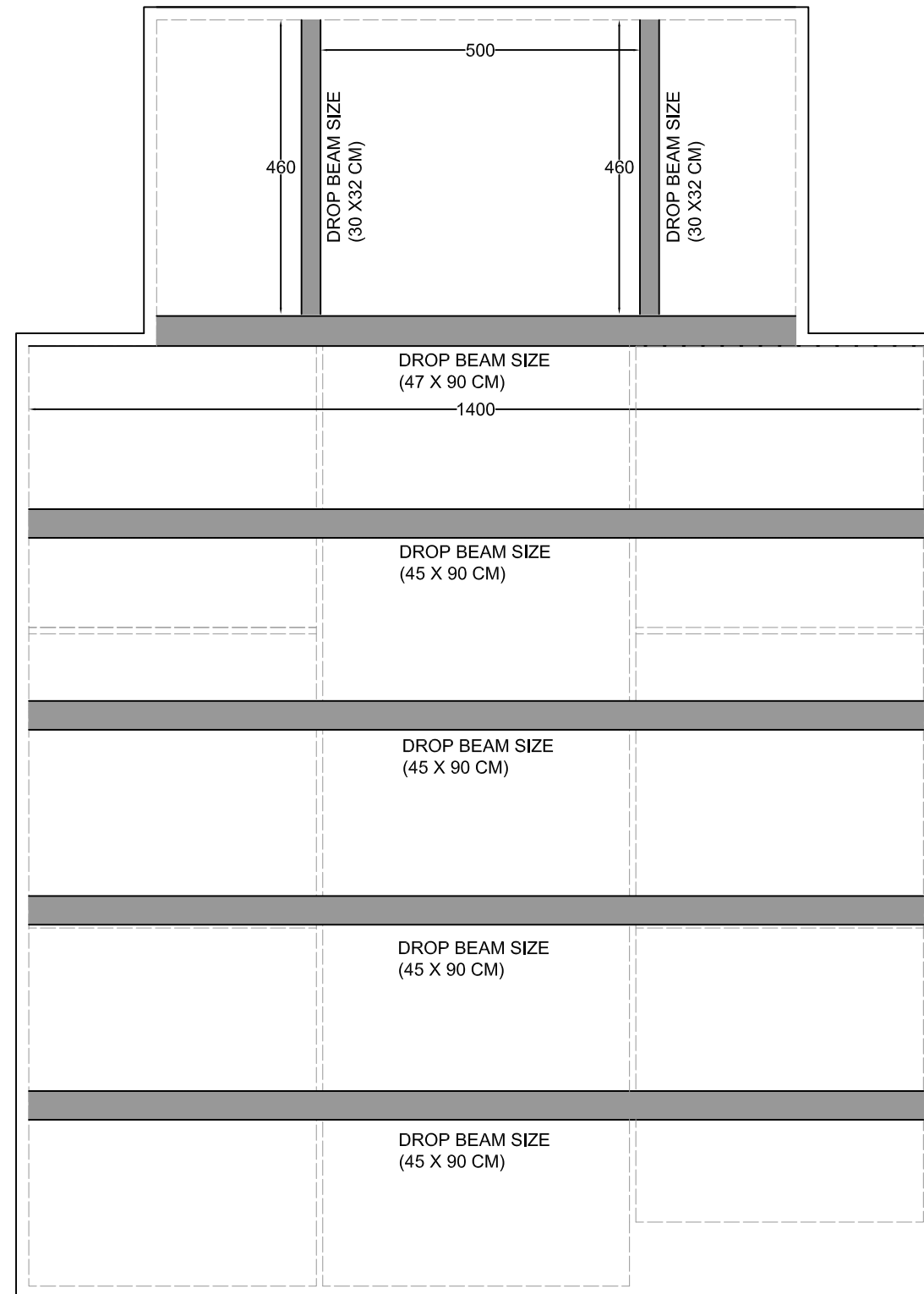
Reference No.: PZA170421T-10054

Designed by:



Enabel - Belgian Development Agency

Lot:	School:	Drawing Title:
N/A	Jerusalem American School	Existing Plan
Scale:	Date:	Drawing Code:
1:50	14/3/2024	CIV-1



Notes

- (1) All Dimensions Are In Cm.
- (2) All Levels Are In Meter
- (3) Any Missing or Unclear Detail And All Fastening Systems For All Elements Shall be Approved by The Supervisor.

Legend:

- Stone Wall
- Brick Wall
- Reinforced Concrete
- Gypsum Wall
- Main Electrical Board
- 3 Phases
- Single Socket
- Twin Socket
- Server Box
- Projector
- Single Socket - W.P.
- Twin Socket - W.P.
- Wire Board
- Camera
- Sound System
- Single Switch
- Fire Extinguisher
- Fire Alarm
- Double Switch
- Triple Switch
- Telephone
- T.V.
- Ventilation Fan
- Gas Supply Box
- Water Supply Box
- A.C.

REVISIONS		
NO.	DRAWINGS	DATE
(1)		
(2)		
(3)		

Contracting Authority:



Enabel - Belgian Development Agency

Funded By:



Contract Title:

Public works contract for Fablab Transformation Works and Furniture Supply in Jerusalem American School

Reference No.: PZA170421T-10054

Designed by:



Enabel - Belgian Development Agency

Lot:	School:	Drawing Title:
N/A	Jerusalem American School	Existing Ceiling Plan
Scale:	Date:	Drawing Code:
1:50	14/3/2024	CIV-2



Notes

- (1) All Dimensions Are In Cm.
- (2) All Levels Are In Meter
- (3) Any Missing or Unclear Detail And All Fastening Systems For All Elements Shall be Approved by The Supervisor.

Legend:

- Stone Wall
- Brick Wall
- Reinforced Concrete
- Gypsum Wall
- Main Electrical Board
- 3PH 3 Phases
- Single Socket
- Twin Socket
- Server Box
- Projector
- Single Socket -W.P.
- Twin Socket -W.P.
- Wire Board
- CAM Camera
- Sound System
- Single Switch
- Fire Extinguisher
- Fire Alarm
- Double Switch
- Triple Switch
- Telephone
- T.V.
- Ventilation Fan
- Gas Supply Box
- Water Supply Box
- A.C.

REVISIONS		
NO.	DRAWINGS	DATE
(1)		
(2)		
(3)		

Contracting Authority:



Enabel - Belgian Development Agency

Funded By:



Contract Title:

Public works contract for Fablab Transformation Works and Furniture Supply in Jerusalem American School

Reference No.: PZA170421T-10054

Designed by:



Enabel - Belgian Development Agency

Lot:	School:	Drawing Title:
N/A	Jerusalem American School	Furniture Plan
Scale:	Date:	Drawing Code:
1:50	14/3/2024	CIV-3

Notes

- (1) All Dimensions Are In Cm.
- (2) All Levels Are In Meter
- (3) Any Missing or Unclear Detail And All Fastening Systems For All Elements Shall be Approved by The Supervisor.

Legend:

- Stone Wall
- Brick Wall
- Reinforced Concrete
- Gypsum Wall
- Main Electrical Board
- 3 Phases
- Single Socket
- Twin Socket
- Server Box
- Projector
- Single Socket - W.P.
- Twin Socket - W.P.
- Wire Board
- Camera
- Sound System
- Single Switch
- Fire Extinguisher
- Fire Alarm
- Double Switch
- Triple Switch
- Telephone
- T.V.
- Ventilation Fan
- Gas Supply Box
- Water Supply Box
- A.C.

REVISIONS		
NO.	DRAWINGS	DATE
(1)		
(2)		
(3)		

Contracting Authority:



Enabel - Belgian Development Agency

Funded By:



Contract Title:

Public works contract for Fablab Transformation Works and Furniture Supply in Jerusalem American School

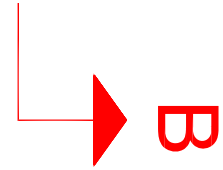
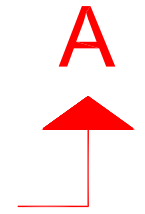
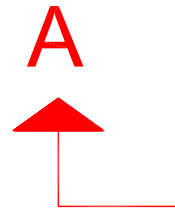
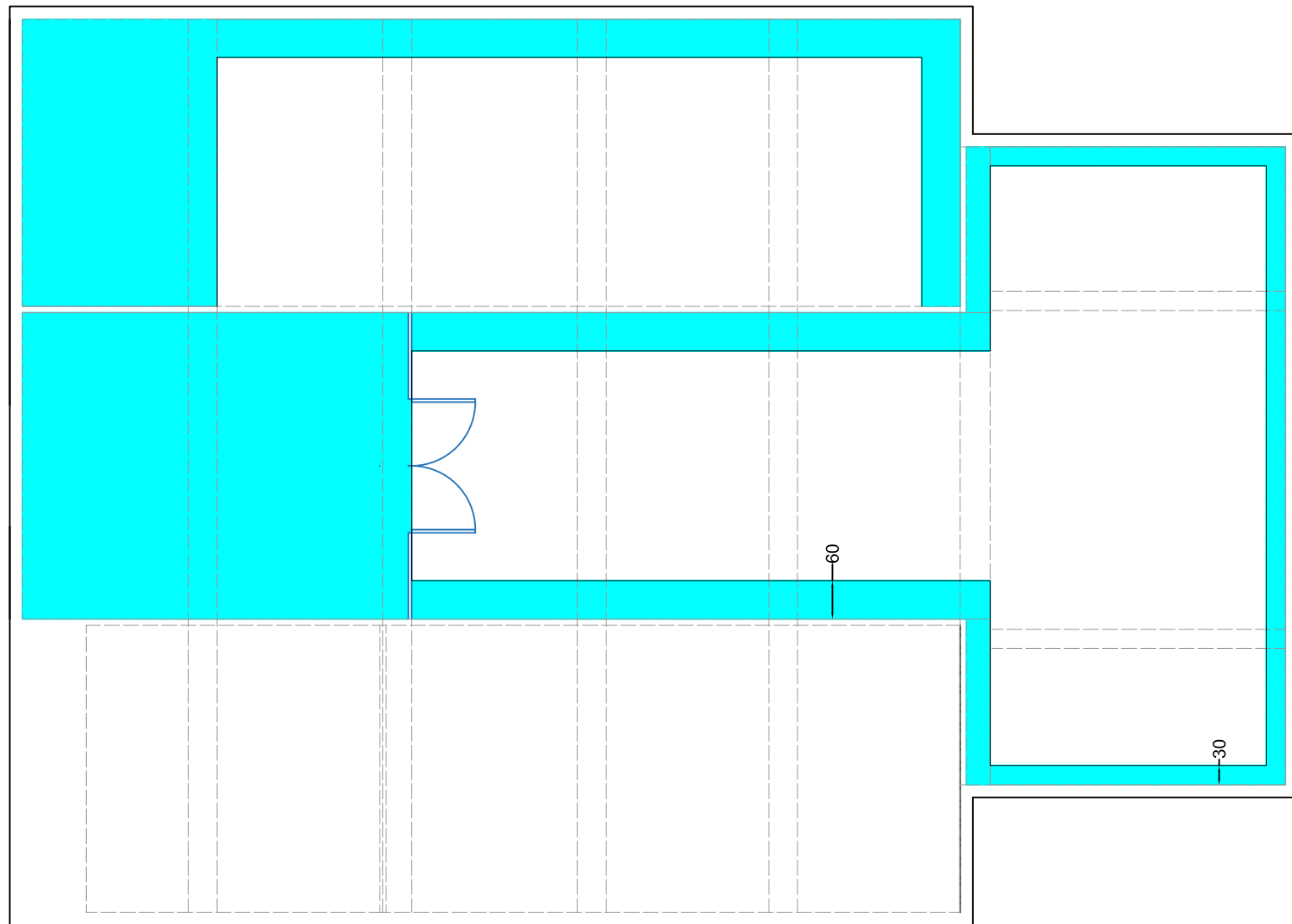
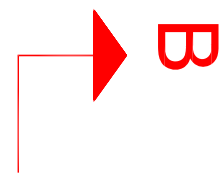
Reference No.: PZA170421T-10054

Designed by:

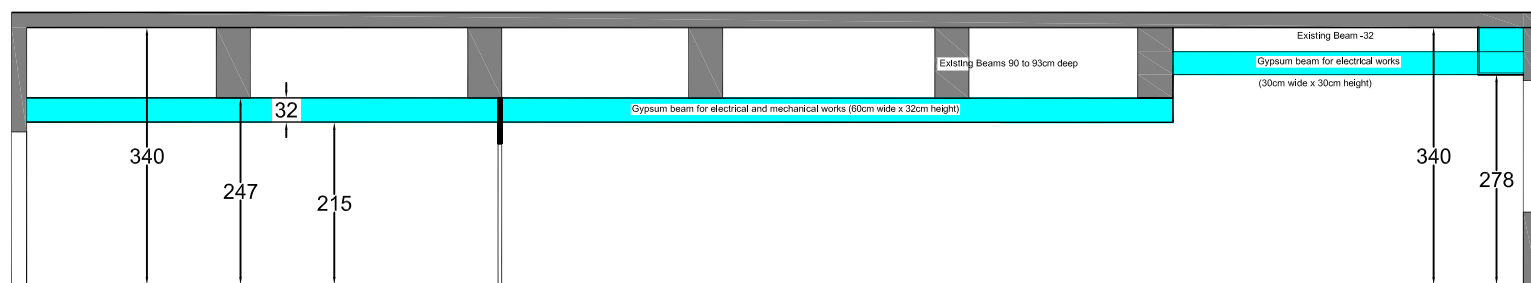


Enabel - Belgian Development Agency

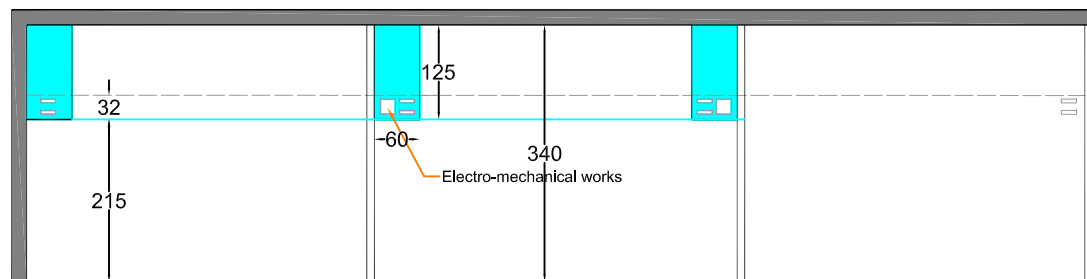
Lot:	School:	Drawing Title:
N/A	Jerusalem American School	False Ceiling Plan
Scale:	Date:	Drawing Code:
1:50	14/3/2024	CIV-4

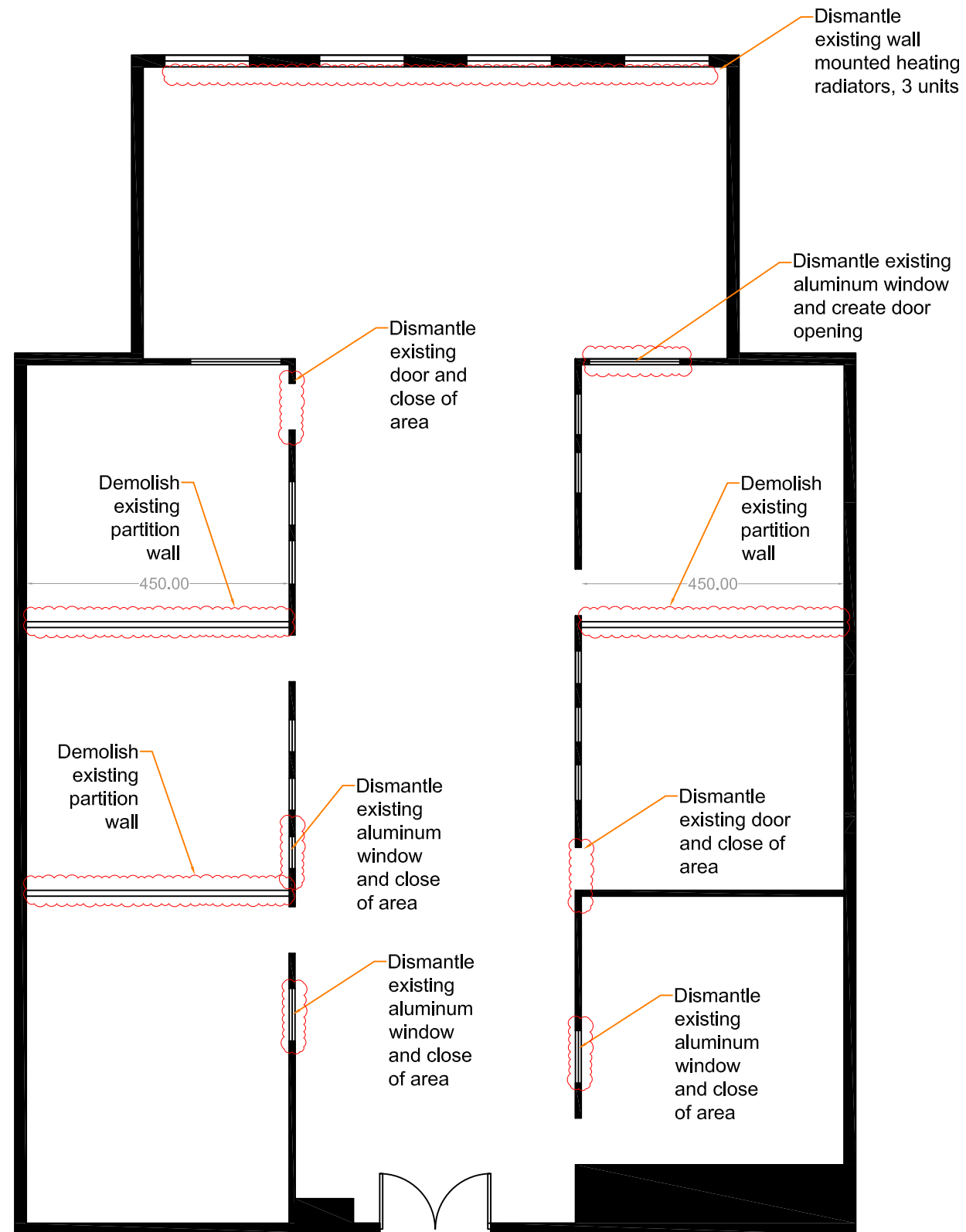


Secton A-A



Secton B-B





Notes

- (1) All Dimensions Are In Cm.
- (2) All Levels Are In Meter
- (3) Any Missing or Unclear Detail And All Fastening Systems For All Elements Shall be Approved by The Supervisor.

Legend:

- Stone Wall
- Brick Wall
- Reinforced Concrete
- Gypsum Wall
- Main Electrical Board
- 3 Phases
- Single Socket
- Twin Socket
- Server Box
- Projector
- Single Socket - W.P.
- Twin Socket - W.P.
- Wire Board
- Camera
- Sound System
- Single Switch
- Fire Extinguisher
- Fire Alarm
- Double Switch
- Triple Switch
- Telephone
- T.V.
- Ventilation Fan
- Gas Supply Box
- Water Supply Box
- A.C.

REVISIONS		
NO.	DRAWINGS	DATE
(1)		
(2)		
(3)		

Contracting Authority:



Enabel - Belgian Development Agency

Funded By:



Contract Title:

Public works contract for Fablab Transformation Works and Furniture Supply in Jerusalem American School

Reference No.: PZA170421T-10054

Designed by:



Enabel - Belgian Development Agency

Lot:	School:	Drawing Title:
N/A	Jerusalem American School	Demolishing Plan
Scale:	Date:	Drawing Code:
1:50	14/3/2024	CIV-5

Notes

- (1) All Dimensions Are In Cm.
- (2) All Levels Are In Meter
- (3) Any Missing or Unclear Detail And All Fastening Systems For All Elements Shall be Approved by The Supervisor.

Legend:

- Stone Wall
- Brick Wall
- Reinforced Concrete
- Gypsum Wall
- Main Electrical Board
- 3 Phases
- Single Socket
- Twin Socket
- Server Box
- Projector
- Single Socket - W.P.
- Twin Socket - W.P.
- Wire Board
- Camera
- Sound System
- Single Switch
- Fire Extinguisher
- Fire Alarm
- Double Switch
- Triple Switch
- Telephone
- T.V.
- Ventilation Fan
- Gas Supply Box
- Water Supply Box
- A.C.

REVISIONS		
NO.	DRAWINGS	DATE
(1)		
(2)		
(3)		

Contracting Authority:



Enabel - Belgian Development Agency

Funded By:




Contract Title:

Public works contract for Fablab Transformation Works and Furniture Supply in Jerusalem American School

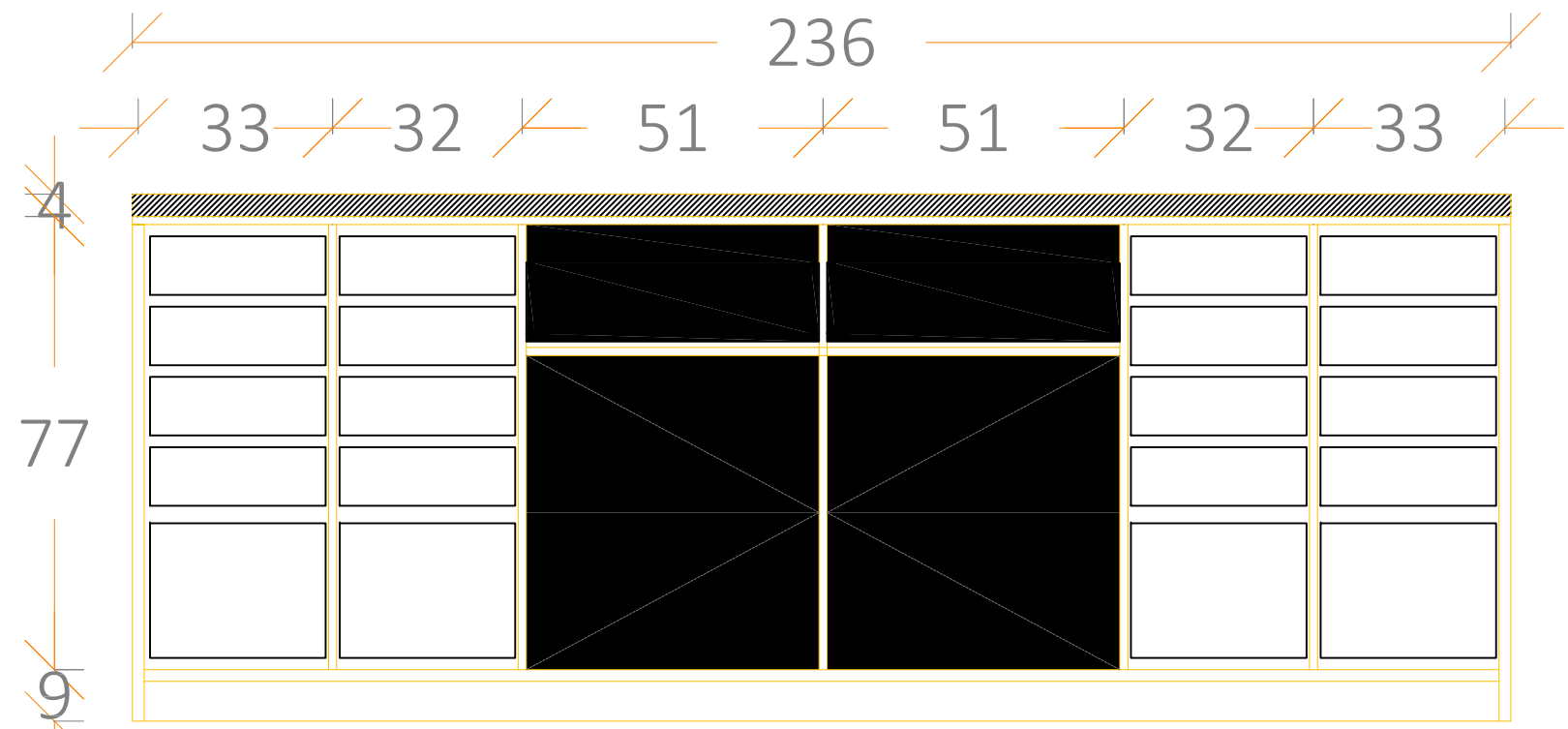
Reference No.: PZA170421T-10054

Designed by:



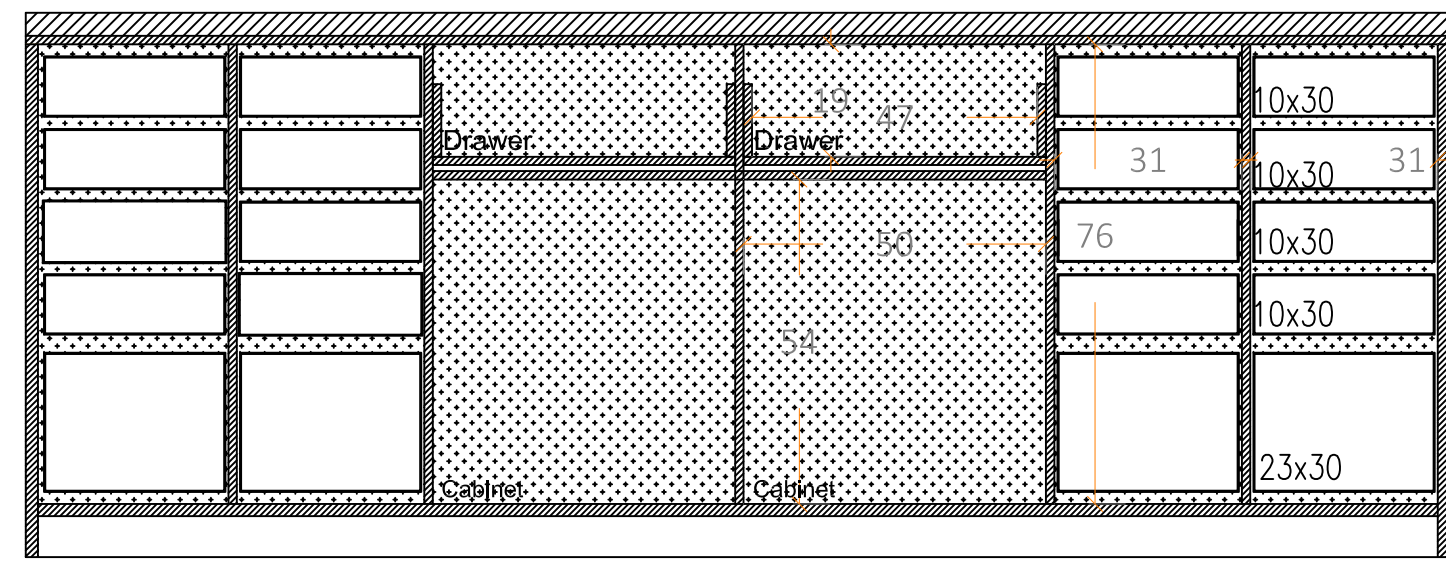
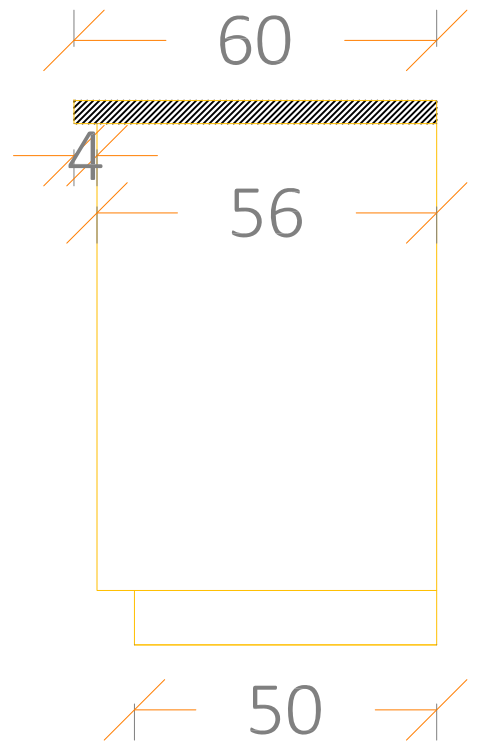
Enabel - Belgian Development Agency

Lot:	School:	Drawing Title:
N/A	Jerusalem American School	Cabinet Detail
Scale:	Date:	Drawing Code:
1:50	14/3/2024	DET-1



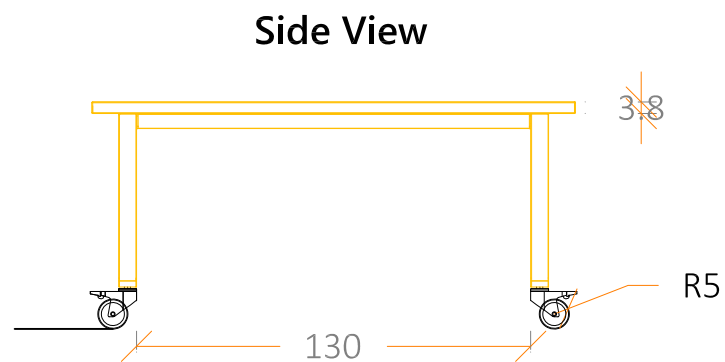
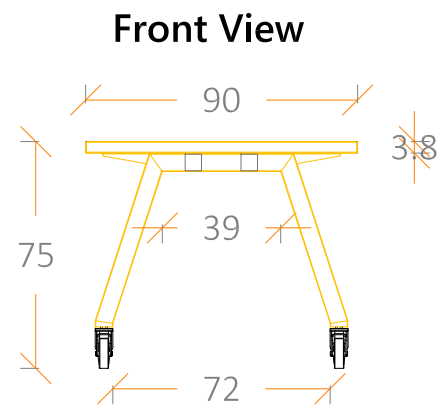
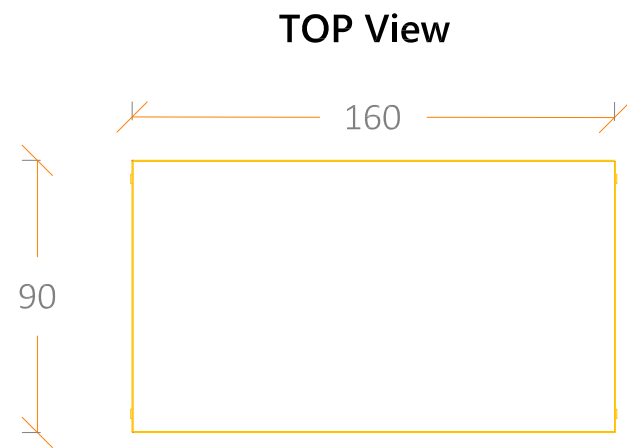
Plastic Removable Shelves

Plastic Removable Shelves

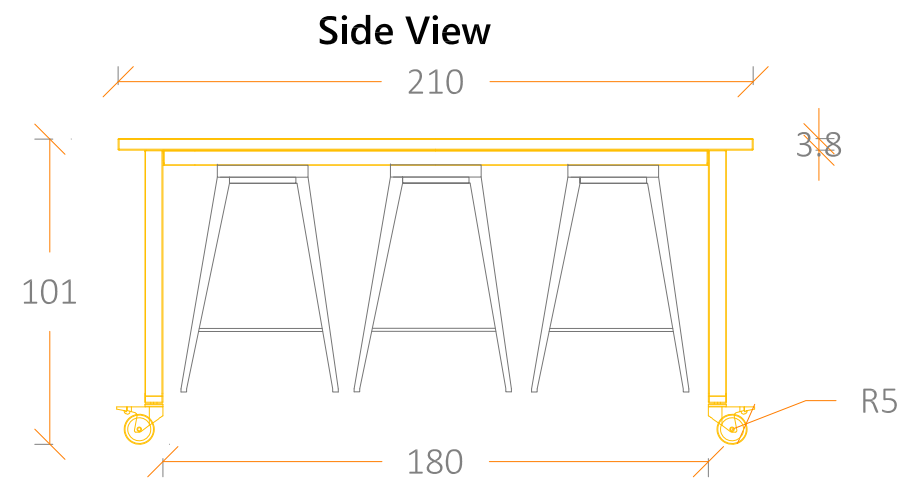
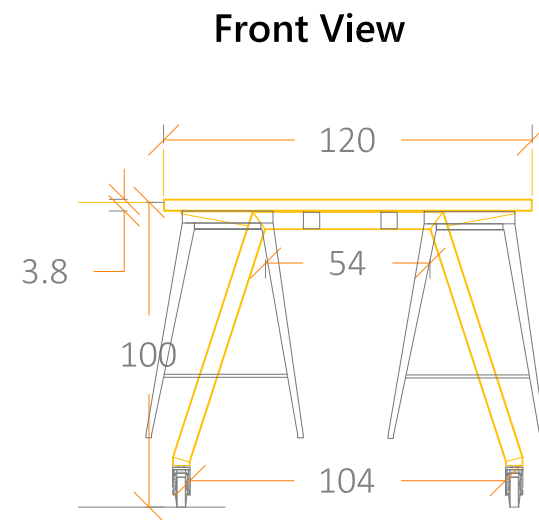
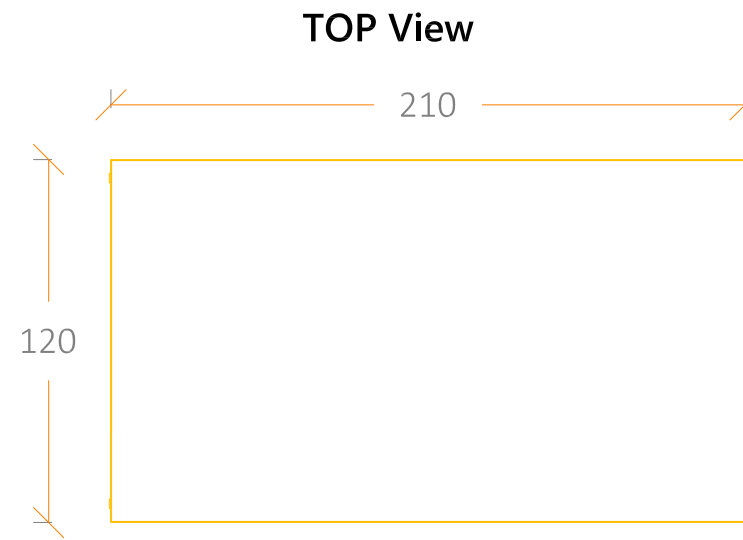


8 Small Plastic Removal Drawers 10x30cm - on each side
 2 Medium Plastic Removal Drawers 23x30cm - on each side

Detail Drawing of Student Workstation



Detail Drawing of Teacher Station



Notes

- (1) All Dimensions Are In Cm.
- (2) All Levels Are In Meter
- (3) Any Missing or Unclear Detail And All Fastening Systems For All Elements Shall be Approved by The Supervisor.

Legend:

- Stone Wall
- Brick Wall
- Reinforced Concrete
- Gypsum Wall
- Main Electrical Board
- 3 Phases
- Single Socket
- Twin Socket
- Server Box
- Projector
- Single Socket -W.P.
- Twin Socket -W.P.
- Wire Board
- CAM
- Camera
- Sound System
- Single Switch
- Fire Extinguisher
- Fire Alarm
- Double Switch
- Triple Switch
- Telephone
- T.V.
- Ventilation Fan
- Gas Supply Box
- Water Supply Box
- A.C.

REVISIONS		
NO.	DRAWINGS	DATE
(1)		
(2)		
(3)		

Contracting Authority:



Enabel - Belgian Development Agency

Funded By:



Contract Title:

Public works contract for Fablab Transformation Works and Furniture Supply in Jerusalem American School

Reference No.: PZA170421T-10054

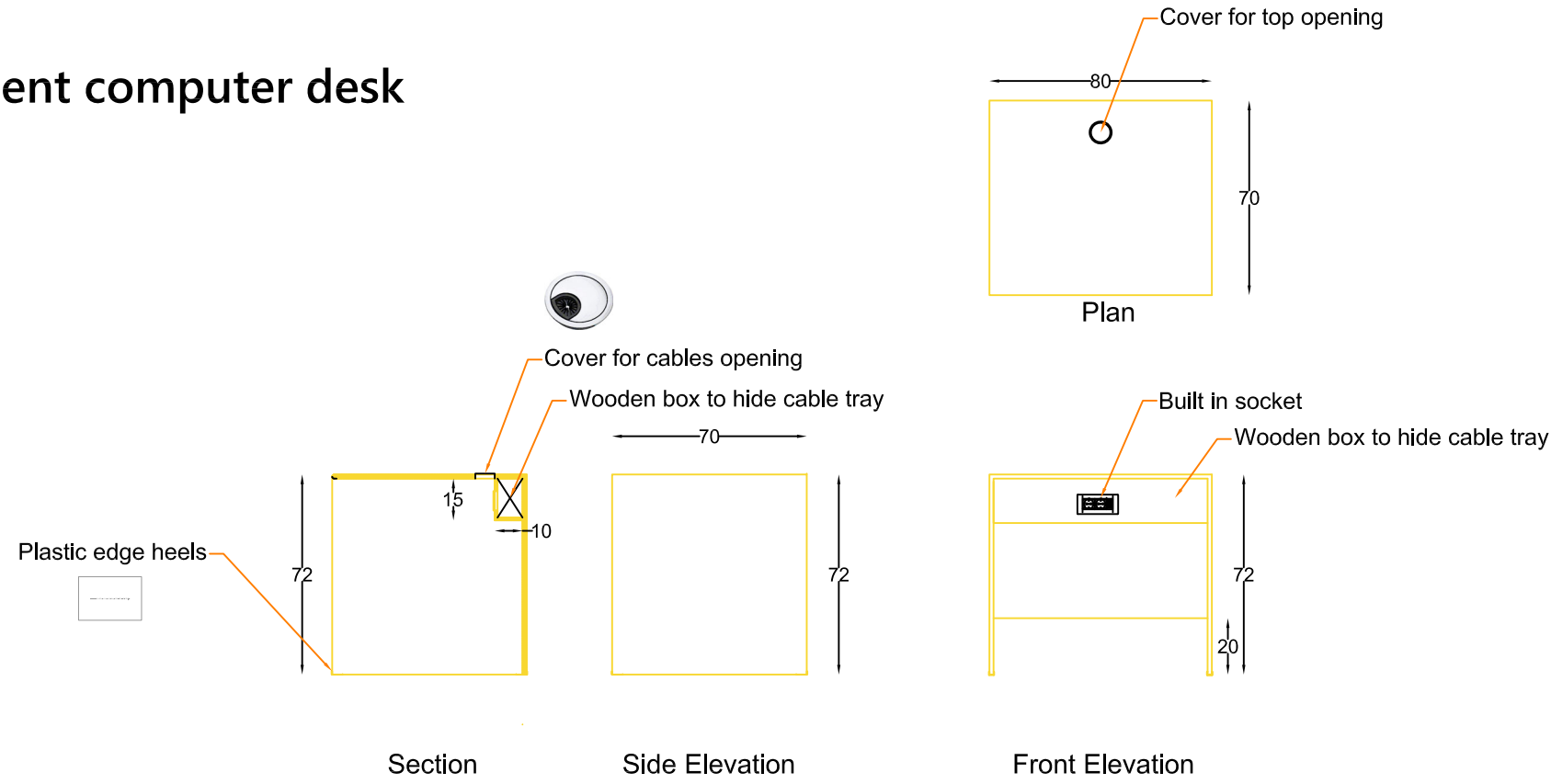
Designed by:



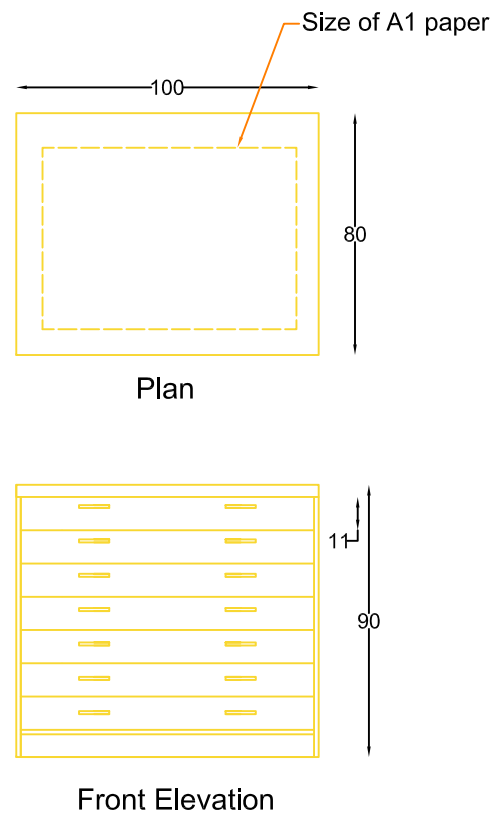
Enabel - Belgian Development Agency

Lot:	School:	Drawing Title:
N/A	Jerusalem American School	Workstations Detail
Scale:	Date:	Drawing Code:
1:50	14/3/2024	DET-2

Student computer desk



Art work storage cabinet



Notes

- (1) All Dimensions Are In Cm.
- (2) All Levels Are In Meter
- (3) Any Missing or Unclear Detail And All Fastening Systems For All Elements Shall be Approved by The Supervisor.

Legend:

- Stone Wall
- Brick Wall
- Reinforced Concrete
- Gypsum Wall
- Main Electrical Board
- 3 Phases
- Single Socket
- Twin Socket
- Server Box
- Projector
- Single Socket -W.P.
- Twin Socket -W.P.
- Wire Board
- CAMERA
- Camera
- Sound System
- Single Switch
- Fire Extinguisher
- Fire Alarm
- Double Switch
- Triple Switch
- Telephone
- T.V.
- Ventilation Fan
- Gas Supply Box
- Water Supply Box
- A.C.

REVISIONS

NO.	DRAWINGS	DATE
(1)		
(2)		
(3)		

Contracting Authority:



Enabel - Belgian Development Agency

Funded By:



Contract Title:

Public works contract for Fablab Transformation Works and Furniture Supply in Jerusalem American School

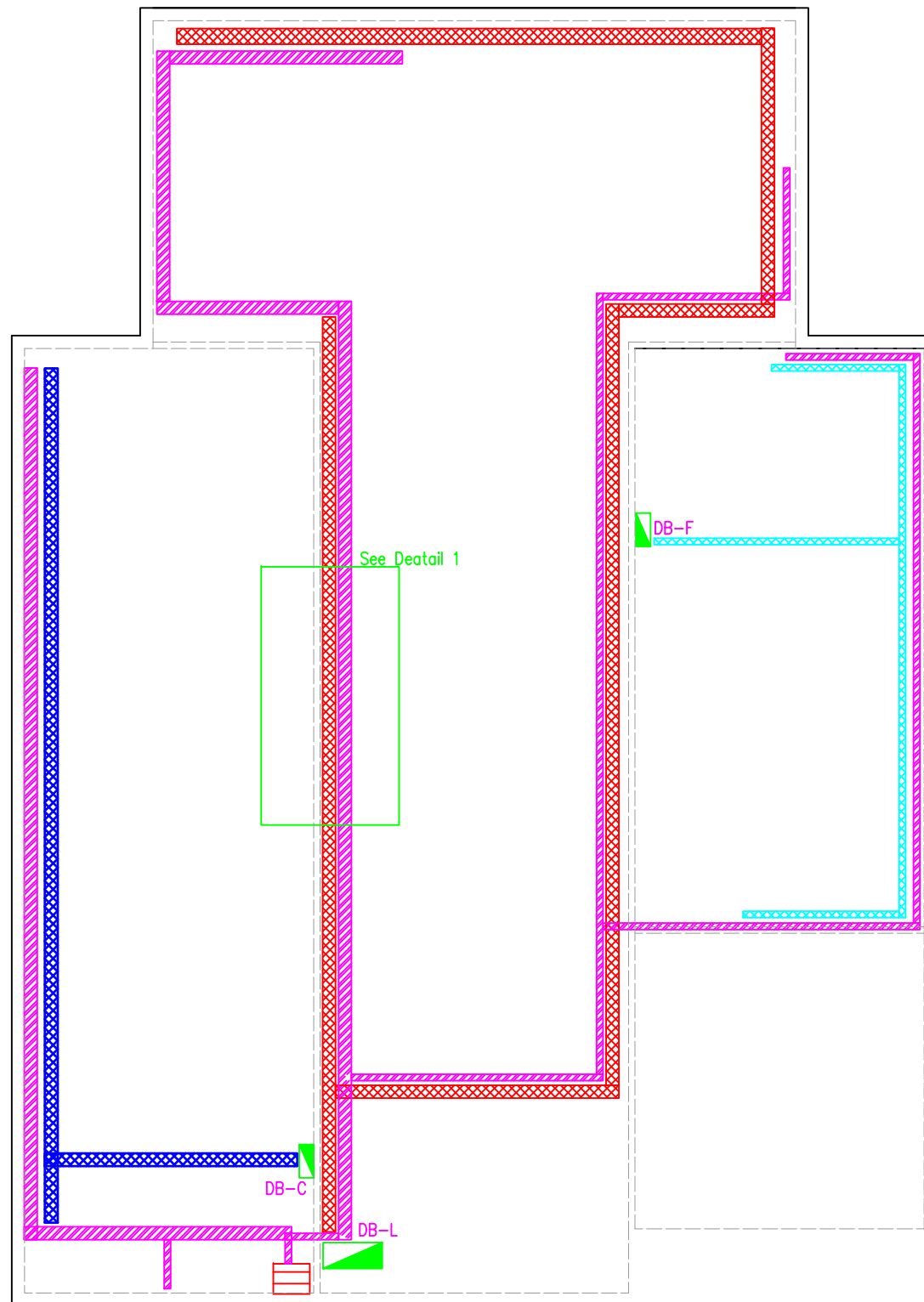
Reference No.: PZA170421T-10054

Designed by:



Enabel - Belgian Development Agency

Lot:	School:	Drawing Title:
N/A	Jerusalem American School	Worksations Detail
Scale:	Date:	Drawing Code:
1:50	14/3/2024	DET-2



Notes

- (1) All Dimensions Are In Cm.
- (2) All Levels Are In Meter
- (3) Any Missing or Unclear Detail And All Fastening Systems For All Elements Shall be Approved by The Supervisor.

Legend:

- 2 POLE SWITCH WITH INDICATOR LAMP
- Single Switch / 2 WAY SWITCH
- Push Button
- 120x30 40W LED Panel Light Fixture
- 60x60 40W Recessed LED Panel
- Exit Sign Light Fixture
- Emergency LED Light Recessed /Surface mount
- 16A Power Socket
- 16A Water Proof Power Socket
- TELEPHONE SOCKET
- Computer SOCKET
- TV SOCKET
- Thermostat Point
- Internal Siren for Fire System
- SMOKE/HEAT DETECTOR ON THE CEILING
- Break Glass Unit
- MSBO Office Box 6 modules (4 sockets, 2 com.)
- Load Speaker for Apple Screen Sound System
- Wall Mounted Speaker for Sound System/Outdoor
- Microphone for Apple Screen Sound System
- Distribution Panel
- Low Voltage Panel
- Power Socket for Fan Coil
- Projector Point
- 16A Tripple Socket
- Mushroom Head Emergency Push Button
- Intercom point
- INDOOR Dome CAMERA
- Emergency Push Button

REVISIONS		
NO.	DRAWINGS	DATE
(1)		
(2)		
(3)		

Contracting Authority:



Enabel - Belgian Development Agency

Funded By:



Contract Title:

Public works contract for Fablab Transformation Works and Furniture Supply in Jerusalem American School

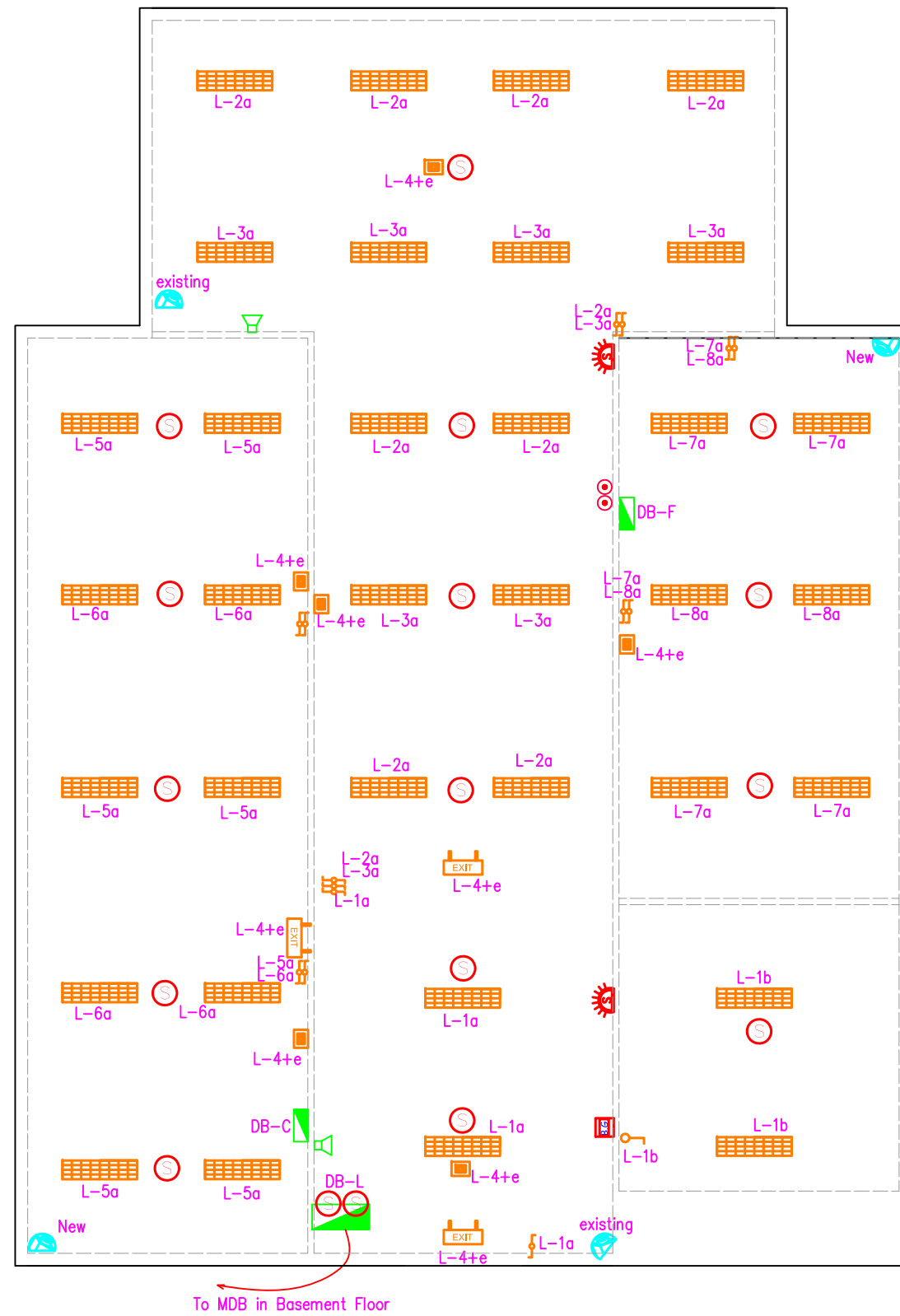
Reference No.: PZA170421T-10054

Designed by:



Enabel - Belgian Development Agency

Lot:	School:	Drawing Title:
N/A	Jerusalem American School	Cable Tray
Scale:	Date:	Drawing Code:
1:50	14/3/2024	ELE-1



Notes

- (1) All Dimensions Are In Cm.
- (2) All Levels Are In Meter
- (3) Any Missing or Unclear Detail And All Fastening Systems For All Elements Shall be Approved by The Supervisor.

Legend:

- 2 POLE SWITCH WITH INDICATOR LAMP
- Single Switch / 2 WAY SWITCH
- Push Button
- 120x30 40W LED Panel Light Fixture
- 60x60 40W Recessed LED Panel
- Exit Sign Light Fixture
- Emergency LED Light Recessed /Surface mount
- 16A Power Socket
- 16A Water Proof Power Socket
- TELEPHONE SOCKET
- Computer SOCKET
- TV SOCKET
- Thermostat Point
- Internal Siren for Fire System
- SMOKE/HEAT DETECTOR ON THE CEILING
- Break Glass Unit
- MSBO Office Box 6 modules (4 sockets, 2 com.)
- Load Speaker for Apple Screen Sound System
- Wall Mounted Speaker for Sound System/Outdoor
- Microphone for Apple Screen Sound System
- Distribution Panel
- Low Voltage Panel
- Power Socket for Fan Coil
- Projector Point
- 16A Tripple Socket
- Mushroom Head Emergency Push Button
- Intercom point
- INDOOR Dome CAMERA
- Emergency Push Button

REVISIONS		
NO.	DRAWINGS	DATE
(1)		
(2)		
(3)		

Contracting Authority:



Enabel - Belgian Development Agency

Funded By:



Contract Title:

Public works contract for Fablab Transformation Works and Furniture Supply in Jerusalem American School

Reference No.: PZA170421T-10054

Designed by:



Enabel - Belgian Development Agency

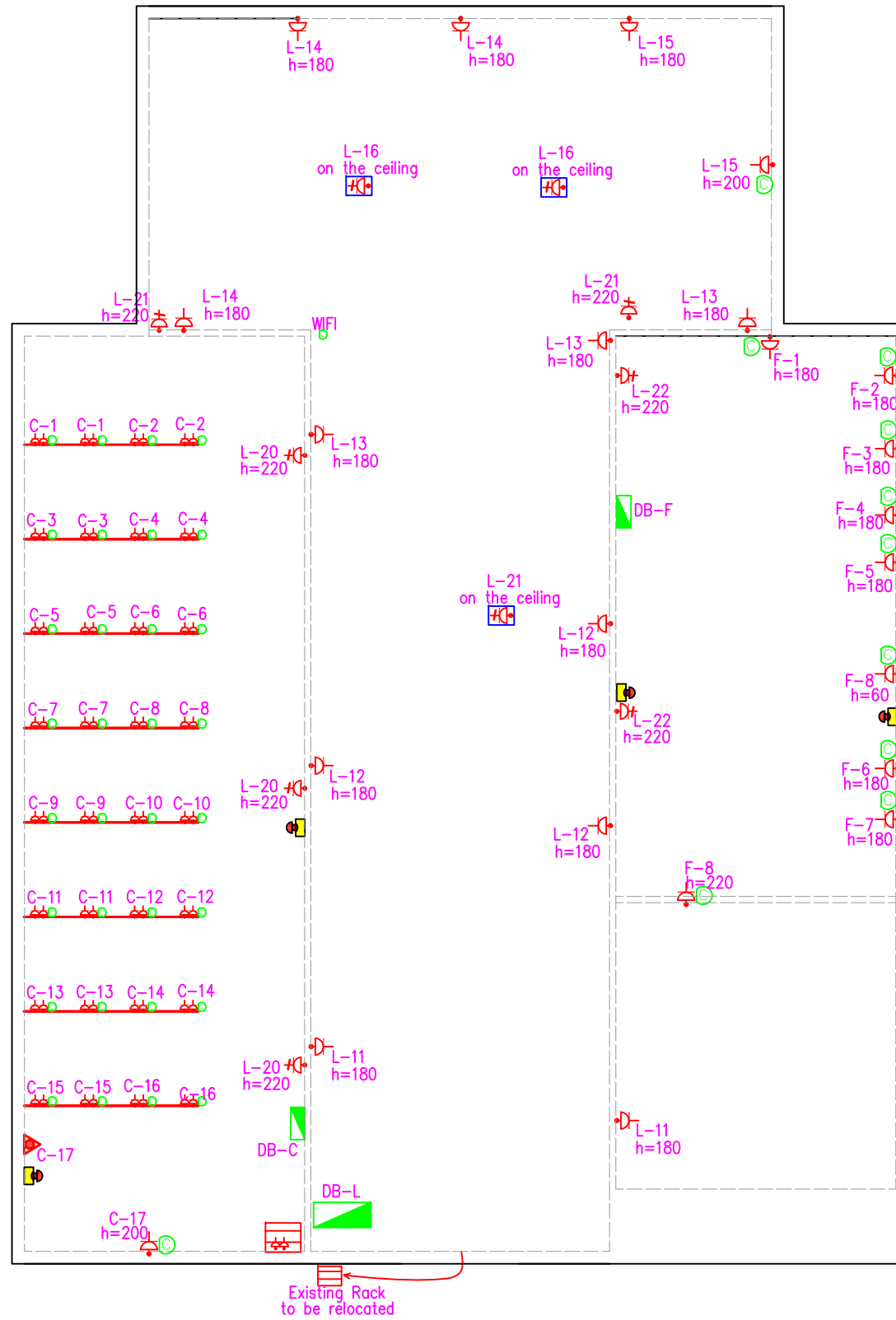
Lot:	School:	Drawing Title:
N/A	Jerusalem American School	Electrical Plans 1
Scale:	Date:	Drawing Code:
1:50	14/3/2024	ELE-2

Notes

- (1) All Dimensions Are In Cm.
- (2) All Levels Are In Meter
- (3) Any Missing or Unclear Detail And All Fastening Systems For All Elements Shall be Approved by The Supervisor.

Legend:

- 2 POLE SWITCH WITH INDICATOR LAMP
- Single Switch / 2 WAY SWITCH h=180
- Push Button
- 120x30 40W LED Panel Light Fixture
- 60x60 40W Recessed LED Panel
- Exit Sign Light Fixture
- Emergency LED Light Recessed /Surface mount
- 16A Power Socket
- 16A Water Proof Power Socket
- TELEPHONE SOCKET
- Computer SOCKET
- TV SOCKET
- Thermostat Point
- Internal Siren for Fire System
- SMOKE/HEAT DETECTOR ON THE CEILING
- Break Glass Unit
- MSBO Office Box 6 modules (4 sockets, 2 com.)
- Load Speaker for Apple Screen Sound System
- Wall Mounted Speaker for Sound System/Outdoor
- Microphone for Apple Screen Sound System
- Distribution Panel
- Low Voltage Panel
- Power Socket for Fan Coil
- Projector Point
- 16A Tripple Socket
- Mushroom Head Emergency Push Button
- Intercom point
- INDOOR Dome CAMERA
- Emergency Push Button



REVISIONS		
NO.	DRAWINGS	DATE
(1)		
(2)		
(3)		

Contracting Authority:



Enabel - Belgian Development Agency

Funded By:



Contract Title:

Public works contract for Fablab Transformation Works and Furniture Supply in Jerusalem American School

Reference No.: PZA170421T-10054

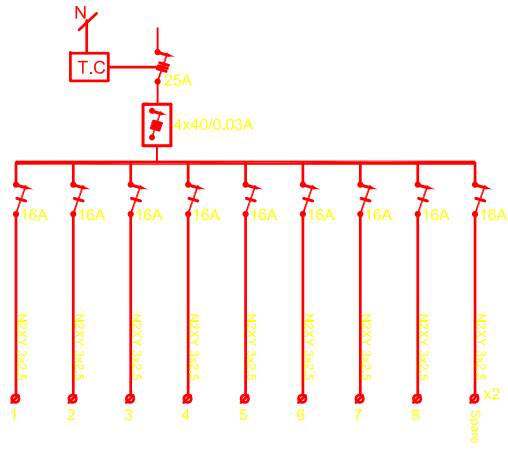
Designed by:



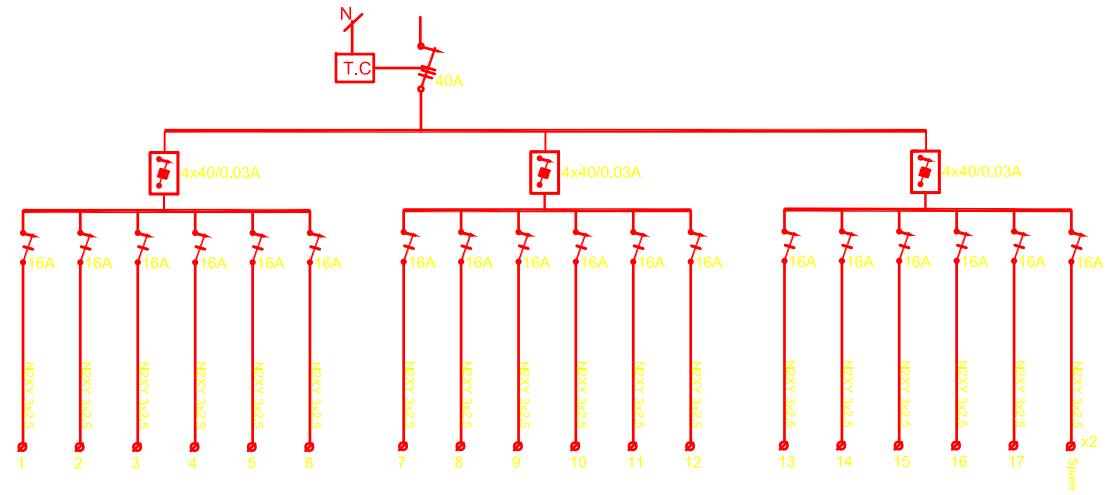
Enabel - Belgian Development Agency

Lot:	School:	Drawing Title:
N/A	Jerusalem American School	Electrical Plans 2
Scale:	Date:	Drawing Code:
1:50	14/3/2024	ELE-3

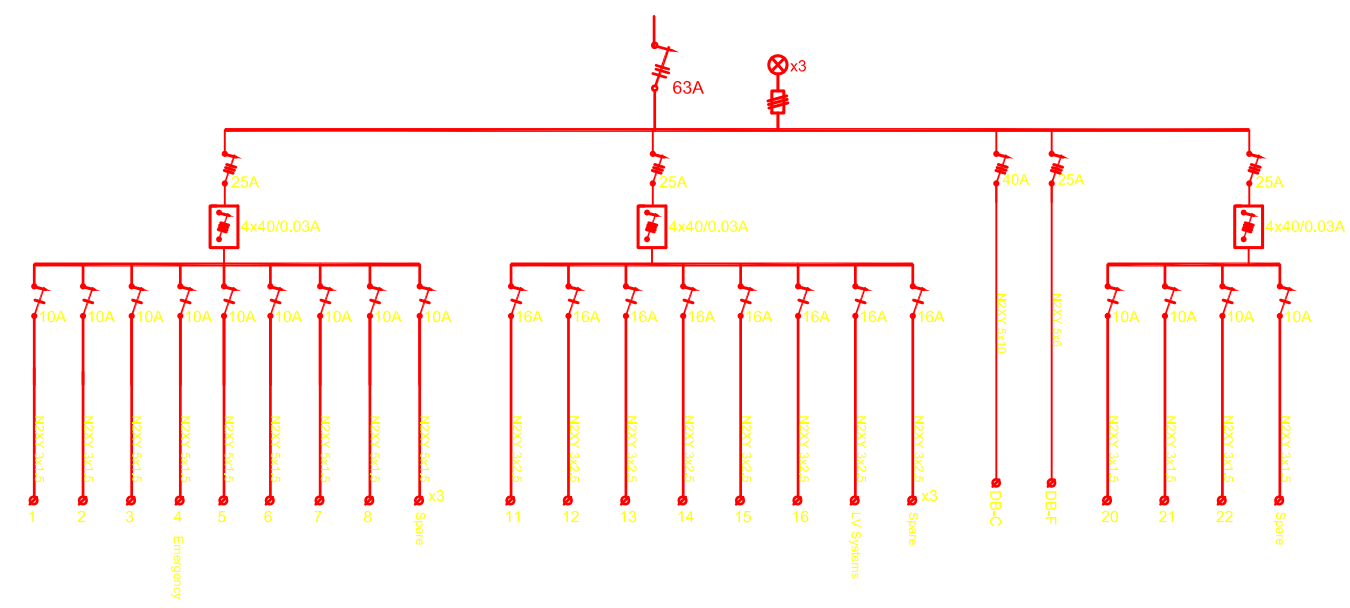
DB-F



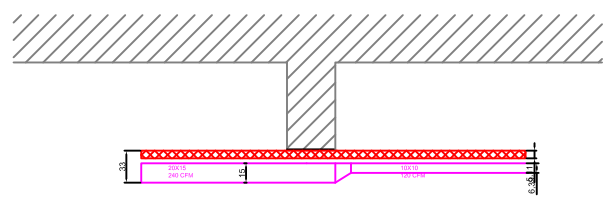
DB-C



DB-L



Detail 1:



Notes

- (1) All Dimensions Are In Cm.
- (2) All Levels Are In Meter
- (3) Any Missing or Unclear Detail And All Fastening Systems For All Elements Shall be Approved By The Supervisor.

Legend:

- 2 POLE SWITCH WITH INDICATOR LAMP
- Single Switch / 2 WAY SWITCH
- Push Button
- 120x30 40W LED Panel Light Fixture
- 60x60 40W Recessed LED Panel
- Exit Sign Light Fixture
- Emergency LED Light Recessed /Surface mount
- 16A Power Socket
- 16A Water Proof Power Socket
- TELEPHONE SOCKET
- Computer SOCKET
- TV SOCKET
- Thermostat Point
- Internal Siren for Fire System
- SMOKE/HEAT DETECTOR ON THE CEILING
- Break Glass Unit
- M500 Office Box 6 modules (4 sockets, 2 com.)
- Load Speaker for Apple Screen Sound System
- Wall Mounted Speaker for Sound System/Outdoor
- Microphone for Apple Screen Sound System
- Distribution Panel
- Low Voltage Panel
- Power Socket for Fan Coil
- Projector Point
- 16A Tripple Socket
- Mushroom Head Emergency Push Button
- Intercom point
- INDOOR Dome CAMERA
- Emergency Push Button

REVISIONS		
NO.	DRAWINGS	DATE
(1)		
(2)		
(3)		

Contracting Authority:



Enabel - Belgian Development Agency

Funded By:



Contract Title:

Public works contract for Fablab Transformation Works and Furniture Supply in Jerusalem American School

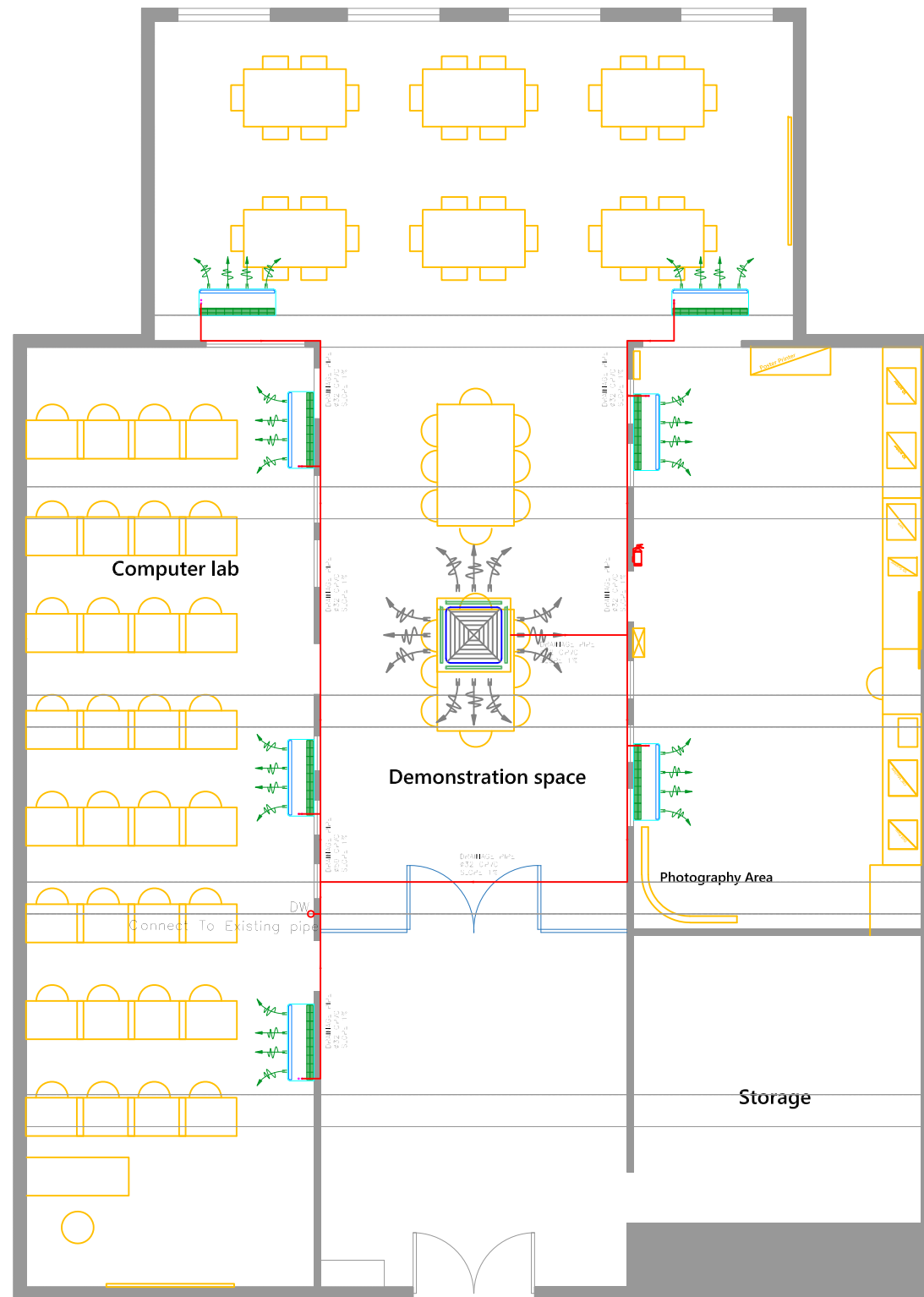
Reference No.: PZA170421T-10054

Designed by:



Enabel - Belgian Development Agency

Lot:	School:	Drawing Title:
N/A	Jerusalem American School	Electrical DB and Details
Scale:	Date:	Drawing Code:
1:50	14/3/2024	ELE-4



Notes

- (1) All Dimensions Are In Cm.
- (2) All Levels Are In Meter
- (3) Any Missing or Unclear Detail And All Fastening Systems For All Elements Shall be Approved by The Supervisor.

Legend:

- 2 POLE SWITCH WITH INDICATOR LAMP
- Single Switch / 2 WAY SWITCH
- Push Button
- 120x30 40W LED Panel Light Fixture
- 60x60 40W Recessed LED Panel
- Exit Sign Light Fixture
- Emergency LED Light Recessed /Surface mount
- 16A Power Socket
- 16A Water Proof Power Socket
- TELEPHONE SOCKET
- Computer SOCKET
- TV SOCKET
- Thermostat Point
- Internal Siren for Fire System
- SMOKE/HEAT DETECTOR ON THE CEILING
- Break Glass Unit
- MS30 Office Box 6 module (4 sockets, 2 com.)
- Load Speaker for Apple Screen Sound System
- Wall Mounted Speaker for Sound System/Outdoor
- Microphone for Apple Screen Sound System
- Distribution Panel
- Low Voltage Panel
- Power Socket for Fan Coil
- Projector Point
- 16A Tripple Socket
- Mushroom Head Emergency Push Button
- Intercom point
- INDOOR Dome CAMERA
- Emergency Push Button

REVISIONS		
NO.	DRAWINGS	DATE
(1)		
(2)		
(3)		

Contracting Authority:



Enabel - Belgian Development Agency

Funded By:



Contract Title:

Public works contract for Fablab Transformation Works and Furniture Supply in Jerusalem American School

Reference No.: PZA170421T-10054

Designed by:



Enabel - Belgian Development Agency

Lot:	School:	Drawing Title:
N/A	Jerusalem American School	Mechanical Plan
Scale:	Date:	Drawing Code:
1:50	14/3/2024	MEC-1

Notes

- (1) All Dimensions Are In Cm.
- (2) All Levels Are In Meter
- (3) Any Missing or Unclear Detail And All Fastening Systems For All Elements Shall be Approved by The Supervisor.

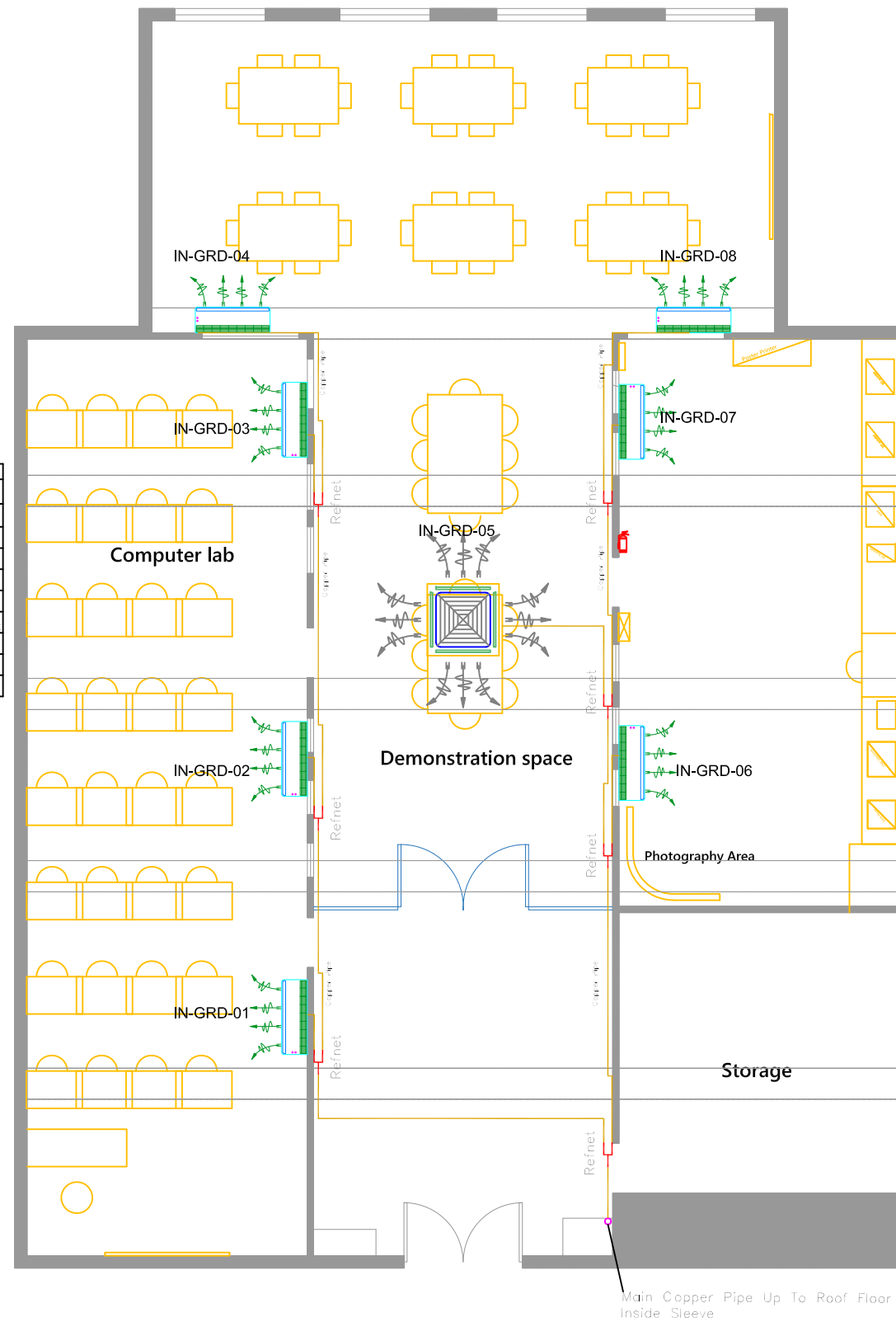
Legend:

- 2 POLE SWITCH WITH INDICATOR LAMP
- Single Switch / 2 WAY SWITCH
- Push Button
- 120x30 40W LED Panel Light Fixture
- 60x60 40W Recessed LED Panel
- Exit Sign Light Fixture
- Emergency LED Light Recessed /Surface mount
- 16A Power Socket
- 16A Water Proof Power Socket
- TELEPHONE SOCKET
- Computer SOCKET
- TV SOCKET
- Thermostat Point
- Internal Siren for Fire System
- SMOKE/HEAT DETECTOR ON THE CEILING
- Break Glass Unit
- M500 Office Box 6 modules (4 sockets, 2 com.)
- Load Speaker for Apple Screen Sound System
- Wall Mounted Speaker for Sound System/Outdoor
- Microphone for Apple Screen Sound System
- Distribution Panel
- Low Voltage Panel
- Power Socket for Fan Coil
- Projector Point
- 16A Tripple Socket
- Mushroom Head Emergency Push Button
- Intercom point
- INDOOR Dome CAMERA
- Emergency Push Button

VRV Out Door Schedule						
System Name	Outdoor Design Temp.		Cooling load (Kw)	ELECTRICAL INFORMATION		Compressor Rated Load Amps, (208-230v/460v)*
	dbt (C)	wbt (C)		Total	Total	
VRV-GRD	37.00	23.00	45.10			

Notes:
 - The combination ratio between the indoor and outdoor units shall be Not less than 100%
 - Actual cooling load for the outdoor units shall be based on Not less than the mentioned combination ratio.
 - The AC system shall be for heating and cooling.

GROUND FLOOR (VRV-GRD)								
Unit No	Indoor Design Temp.		Cooling load (Kw)			Unit Flow Rate CFM	Quantity #	Unit Type
	dbt (C)	wbt (C)	Sensible	Latent	Total			
IN-GRD-01	24	17.1	4.2000	1.20	5.40	560	1	VRF-INDOOR UNIT WALL MOUNTED TYPE
IN-GRD-02	24	17.1	4.2000	1.20	5.40	560	1	VRF-INDOOR UNIT WALL MOUNTED TYPE
IN-GRD-03	24	17.1	4.2000	1.20	5.40	560	1	VRF-INDOOR UNIT WALL MOUNTED TYPE
IN-GRD-04	24	17.1	4.8000	1.50	6.30	645	1	VRF-INDOOR UNIT WALL MOUNTED TYPE
IN-GRD-05	24	17.1	3.40	1.90	5.30	545	1	VRF-INDOOR UNIT 4-WAY CASSETTE TYPE
IN-GRD-06	24	17.1	4.10	1.40	5.50	565	1	VRF-INDOOR UNIT WALL MOUNTED TYPE
IN-GRD-07	24	17.1	4.10	1.40	5.50	565	1	VRF-INDOOR UNIT WALL MOUNTED TYPE
IN-GRD-08	24	17.1	4.80	1.50	6.30	645	1	VRF-INDOOR UNIT WALL MOUNTED TYPE



REVISIONS		
NO.	DRAWINGS	DATE
(1)		
(2)		
(3)		

Contracting Authority:



Enabel - Belgian Development Agency

Funded By:



Contract Title:

Public works contract for Fablab Transformation Works and Furniture Supply in Jerusalem American School

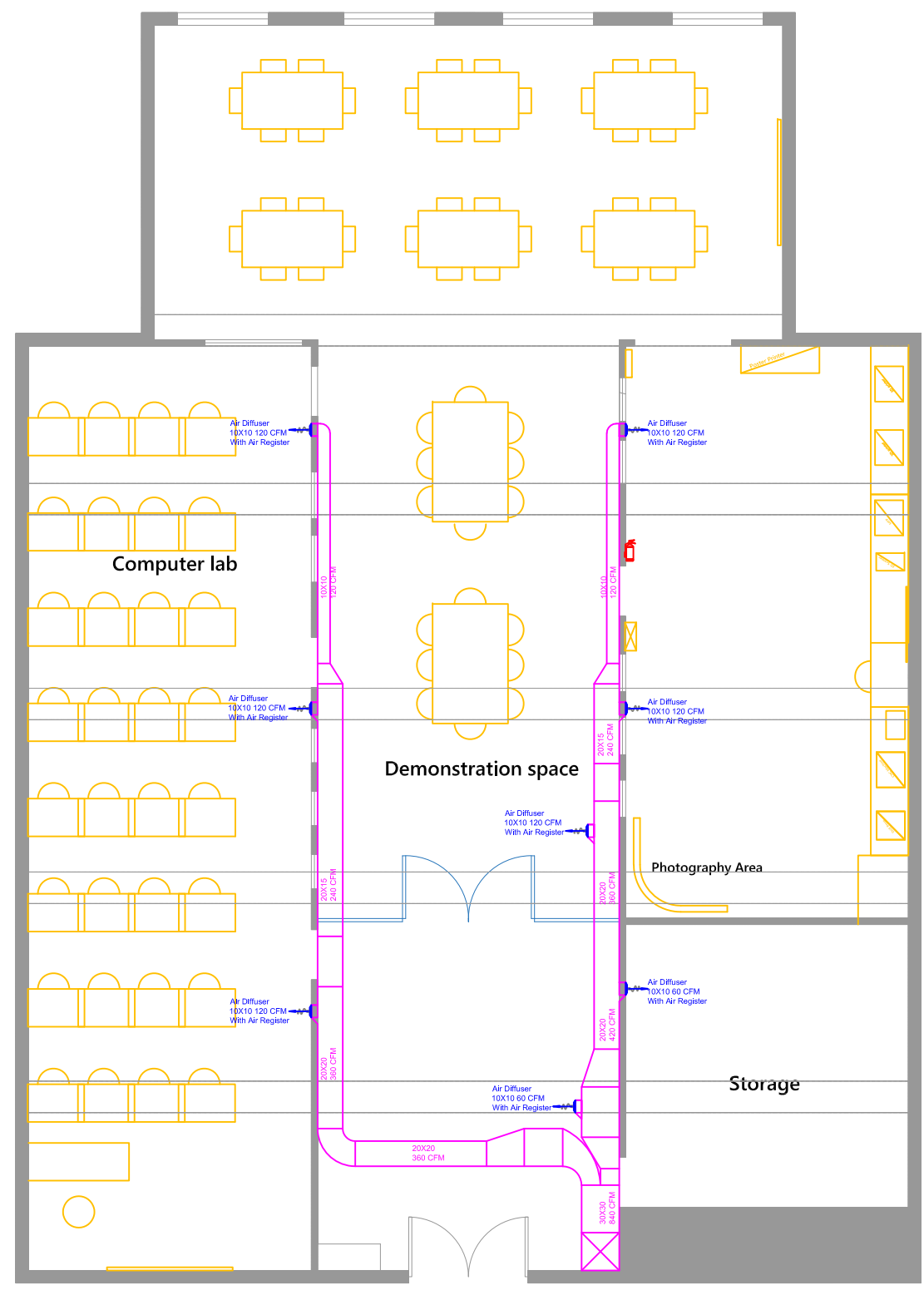
Reference No.: PZA170421T-10054

Designed by:



Enabel - Belgian Development Agency

Lot:	School:	Drawing Title:
N/A	Jerusalem American School	VRF System
Scale:	Date:	Drawing Code:
1:50	14/3/2024	MEC-2



FRESH AIR FAN ON TOP ROOF
 IN LINE 840 CFM
 static Pressure 350 Pa

Notes

- (1) All Dimensions Are In Cm.
- (2) All Levels Are In Meter
- (3) Any Missing or Unclear Detail And All Fastening Systems For All Elements Shall be Approved by The Supervisor.

Legend:

- 2 POLE SWITCH WITH INDICATOR LAMP
- Single Switch / 2 WAY SWITCH
- Push Button
- 120x30 40W LED Panel Light Fixture
- 60x60 40W Recessed LED Panel
- Exit Sign Light Fixture
- Emergency LED Light Recessed /Surface mount
- 16A Power Socket
- 16A Water Proof Power Socket
- TELEPHONE SOCKET
- Computer SOCKET
- TV SOCKET
- Thermostat Point
- Internal Siren for Fire System
- SMOKE/HEAT DETECTOR ON THE CEILING
- Break Glass Unit
- MSBO Office Box 6 modules (4 sockets, 2 com.)
- Load Speaker for Apple Screen Sound System
- Wall Mounted Speaker for Sound System/Outdoor
- Microphone for Apple Screen Sound System
- Distribution Panel
- Low Voltage Panel
- Power Socket for Fan Coil
- Projector Point
- 16A Tripple Socket
- Mushroom Head Emergency Push Button
- Intercom point
- INDOOR Dome CAMERA
- Emergency Push Button

REVISIONS		
NO.	DRAWINGS	DATE
(1)		
(2)		
(3)		

Contracting Authority:



Enabel - Belgian Development Agency

Funded By:



Contract Title:

Public works contract for Fablab Transformation Works and Furniture Supply in Jerusalem American School

Reference No.: PZA170421T-10054

Designed by:



Enabel - Belgian Development Agency

Lot:	School:	Drawing Title:
N/A	Jerusalem American School	Ventilation Plan
Scale:	Date:	Drawing Code:
1:50	14/3/2024	MEC-3