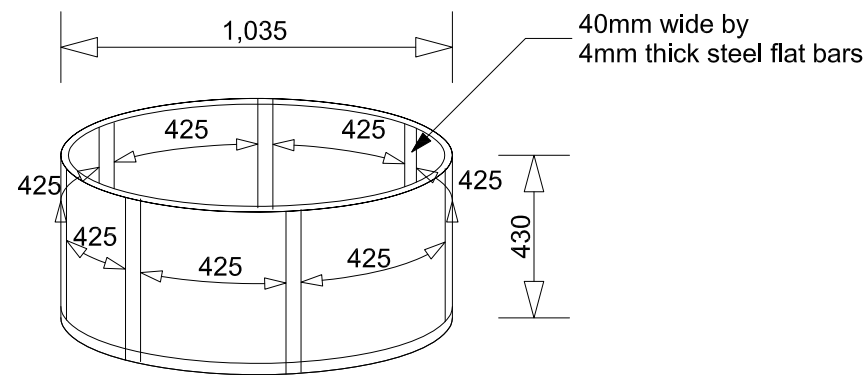
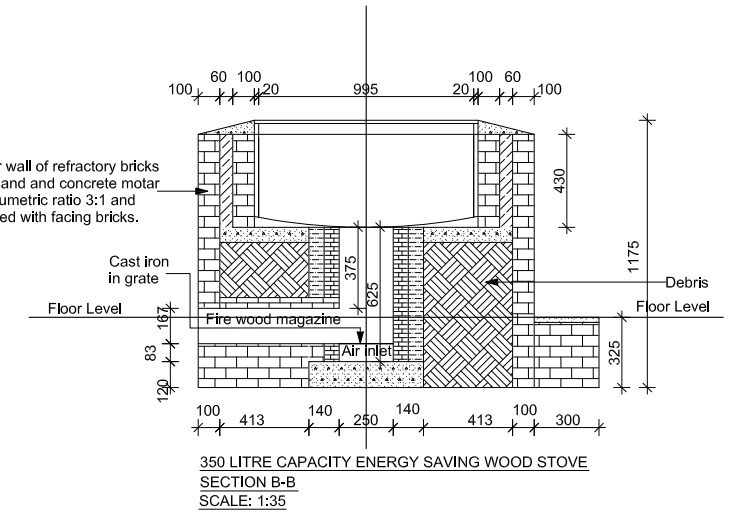
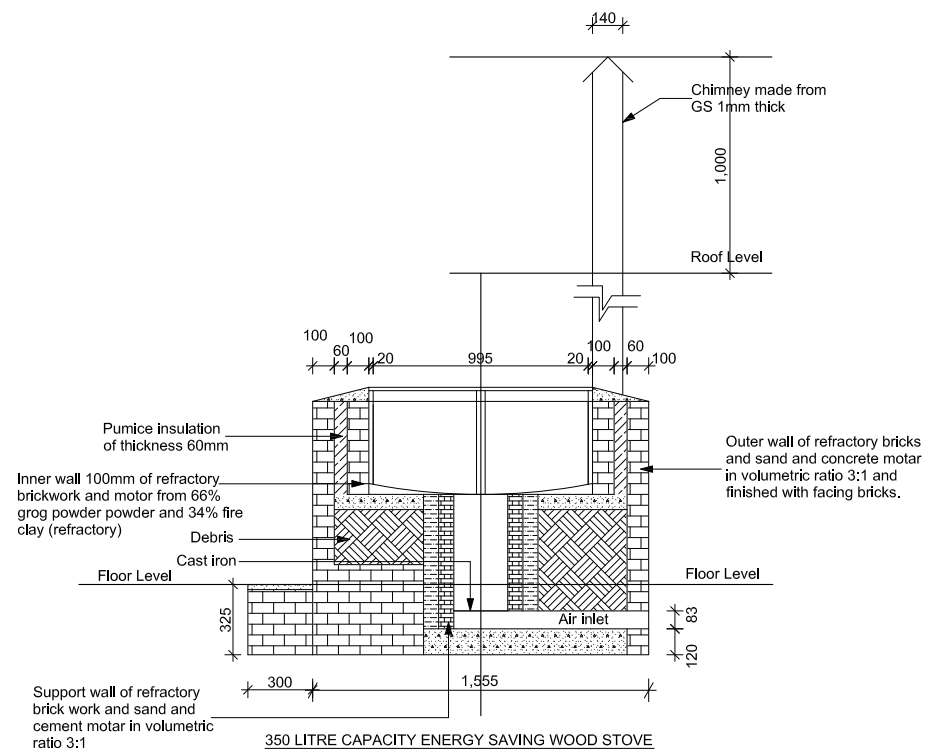
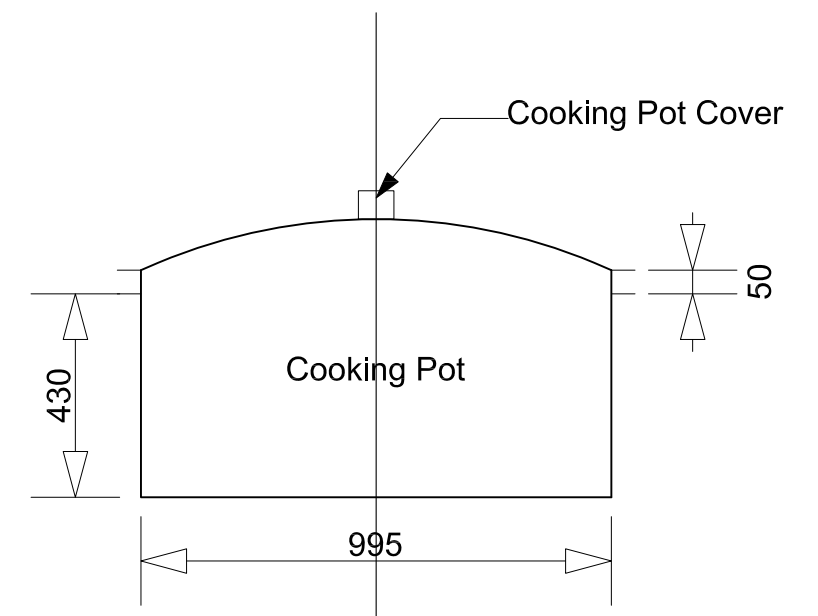


PLAN VIEW
SCALE: 1:20



Cylindrical steel pot stabilizer for 350 litre capacity cooking pot made from 40mm wide by 4mm thick flat steel bars

SCALE: 1:20



SCALE: 1:16

350 LITRE CAPACITY ENERGY SAVING WOOD STOVE