



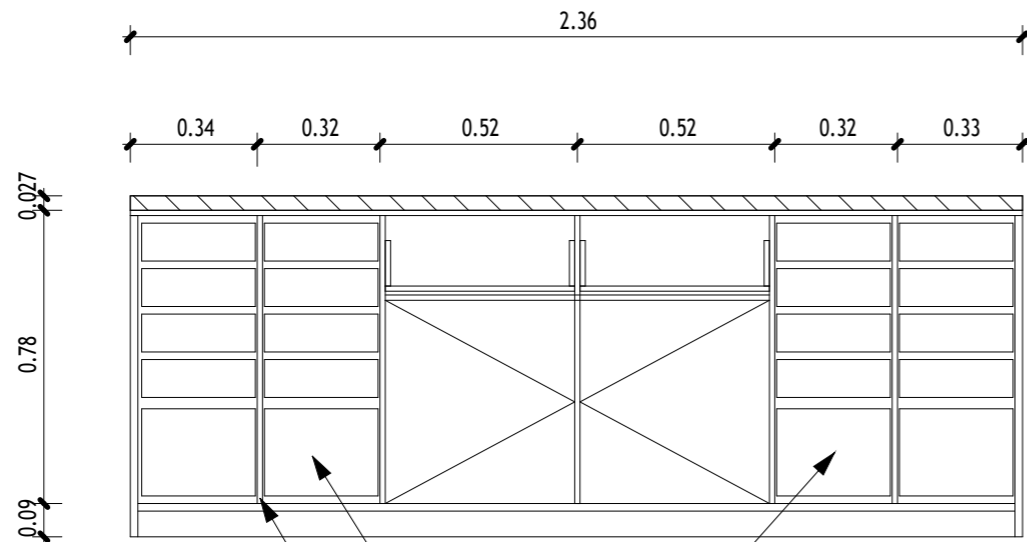
Belgium
partner in development

Rehabilitation and/or creation of STEM Labs in schools in the West Bank

PSE22001-10070

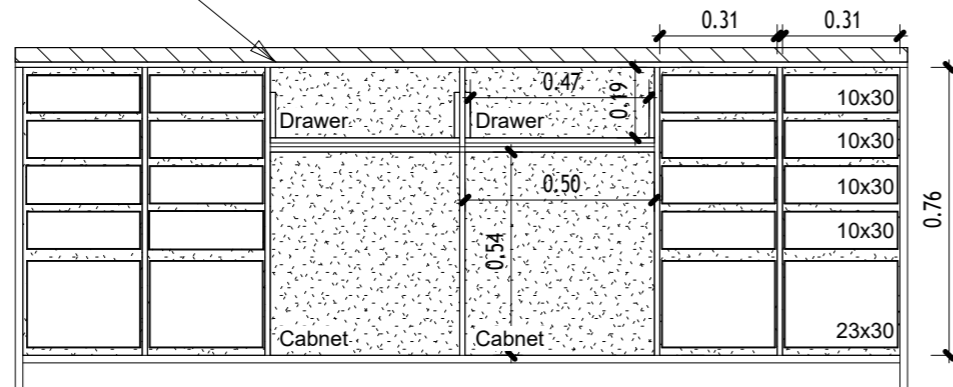
BOOK OF DETAILS

Enabel 



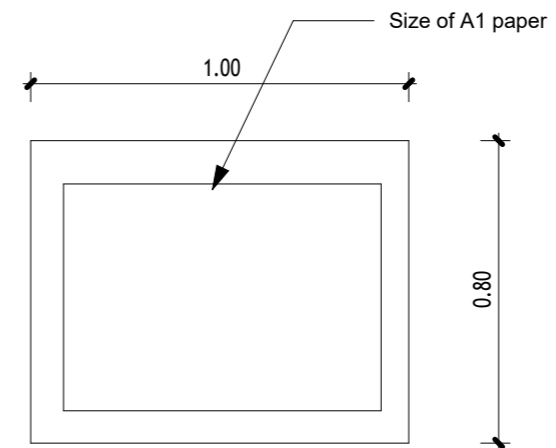
25 mm thick birchwood plywood (WBP/ exterior grade) faced on both top and underside with high-pressure laminate (HPL), 0.8 mm thick. All exposed edges to be finished with 2 mm thick PVC edge banding, machine-applied, moisture-resistant

Plastic Removable Shelves
Laminate Panels
Steel leg tubes and shelves

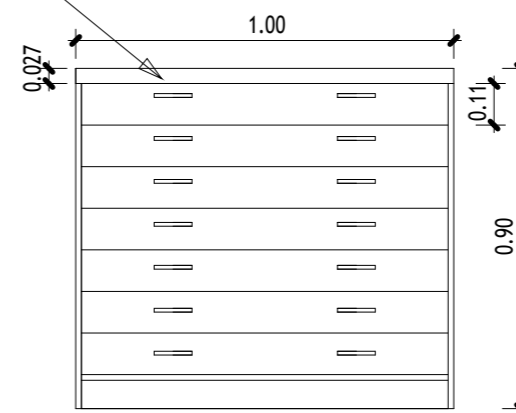


8 small plastic removable drawers 10x30 cm - on each side
2 medium plastic removable drawers 23x30 cm - on each side

25 mm thick birchwood plywood (WBP/ exterior grade) faced on both top and underside with high-pressure laminate (HPL), 0.8 mm thick. All exposed edges to be finished with 2 mm thick PVC edge banding, machine-applied, moisture-resistant



Plan



Front Elevation

1 Cabinet Details1
1 : 20

2 Art storage cabinet
1 : 20

DRAWING NOTES:

CLIENT:

Enabel



CONSULTANT:

GLOB CONSULTANTS

Qaddura Street
Ramallah, Palestine
Tel 022982405
email: hqurt@glob-consult.com



THIS DRAWING IS THE COPYRIGHT OF GLOB. CONSULTANTS AND MUST NOT BE RETAINED, COPIED OR USED WITHOUT THE CONSULTANTS' AUTHORIZATION

Rev.	Description	App. by	Date

DESIGNED BY:

APPROVED BY: Dr. Husni Qurt

DWG ISSUE DATE: 09/09/25

PROJECT:

Project Status

DRAWING TITLE:

Cabinet Details

JOB #	DWG #	BLOCK #
	A108	00
SCALE:	Sht. of	REV. #
1 : 20		

