



**Belgium**  
partner in development

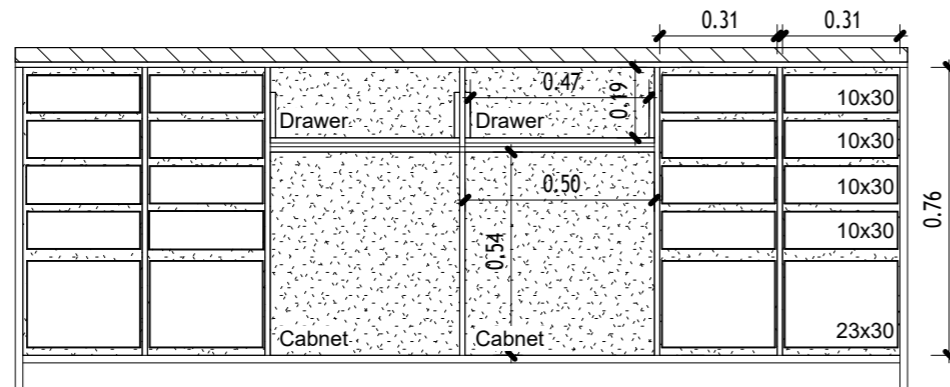
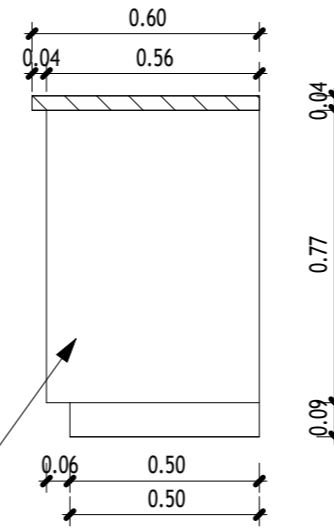
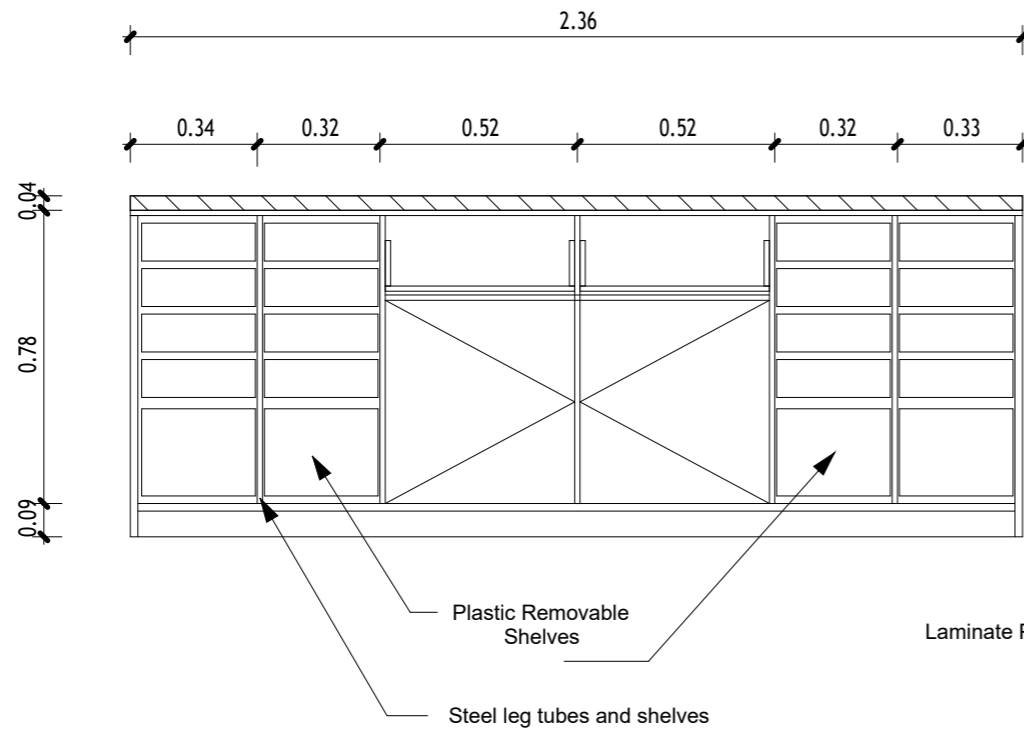
Rehabilitation and/or creation of STEM Labs in schools in the West Bank

**PSE22001-10070**

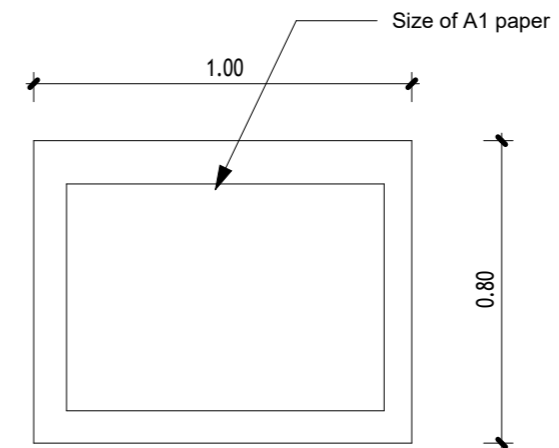
**BOOK OF DETAILS**

**Enabel** 

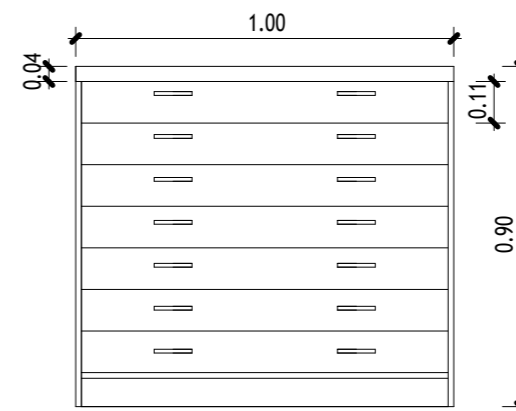




8 small plastic removable drawers 10x30 cm - on each side  
 2 medium plastic removable drawers 23x30 cm - on each side



Plan



Front Elevation

1 Cabinet Details1  
 1 : 20

2 Art storage cabinet  
 1 : 20

DRAWING NOTES:

CLIENT:

**Enabel**



CONSULTANT:

**GLOB CONSULTANTS**

Qaddura Street  
 Ramallah, Palestine  
 Tel 022982405  
 email: hqurt@glob-consult.com



THIS DRAWING IS THE COPYRIGHT OF GLOB. CONSULTANTS AND MUST NOT BE RETAINED, COPIED OR USED WITHOUT THE CONSULTANTS' AUTHORIZATION

Rev.	Description	App. by	Date

DESIGNED BY:  
 APPROVED BY: Dr. Husni Qurt  
 DWG ISSUE DATE: 09/09/25

PROJECT:

Project Status

DRAWING TITLE:

**Cabinet Details**

JOB #	DWG # <b>A108</b>	BLOCK # <b>00</b>
SCALE: <b>1 : 20</b>	Sht. of	REV. #













