

FLOOR PLAN 1:100

**NOTES**

- 1 All measurements are in mm measured as shown
- 2 All relevant details, levels & dimensions must be checked on the site before commencement of work
- 3 Any discrepancies refers to Engineer

REVISION	DESCRIPTION	DATE	SIGN

PROJECT:

PROPOSED CONSTRUCTION OF LANDING SITE AT KALALANGABO-KIGOMA DISTRICT

CLIENT:  
KIGOMA DISTRICT  
P.O. BOX. 24, KIGOMA.

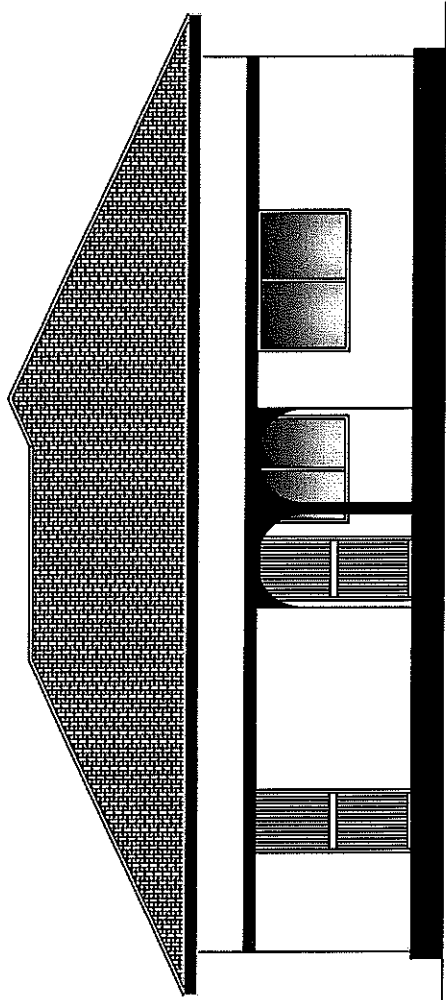
DRAWING TITLE:  
FLOOR PLAN

SCALE: 1:100    DATE: MAR. 2019

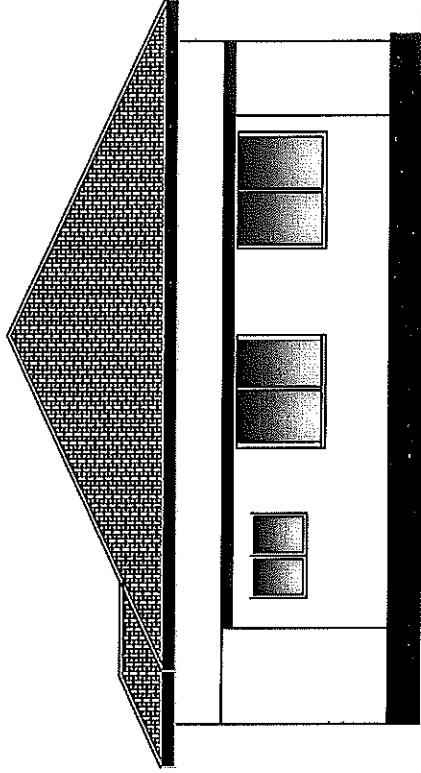
DRAWN BY : J. M. MAGATI

CHECKED BY: ENG. NGUNULA, P.R.

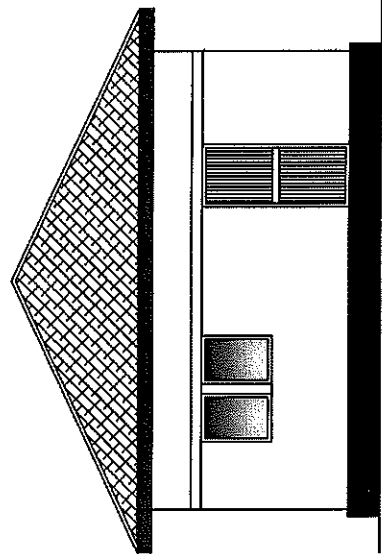
MEASUREMENTS IN MM    DRAWING NO: K.01



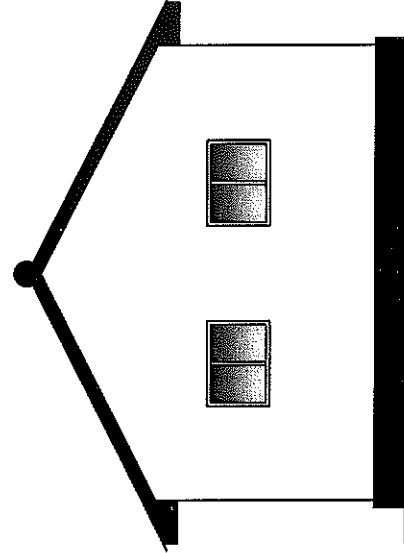
FRONT SIDE ELEVATION 1:100



REAR SIDE ELEVATION 1:100



LHS ELEVATION 1:100

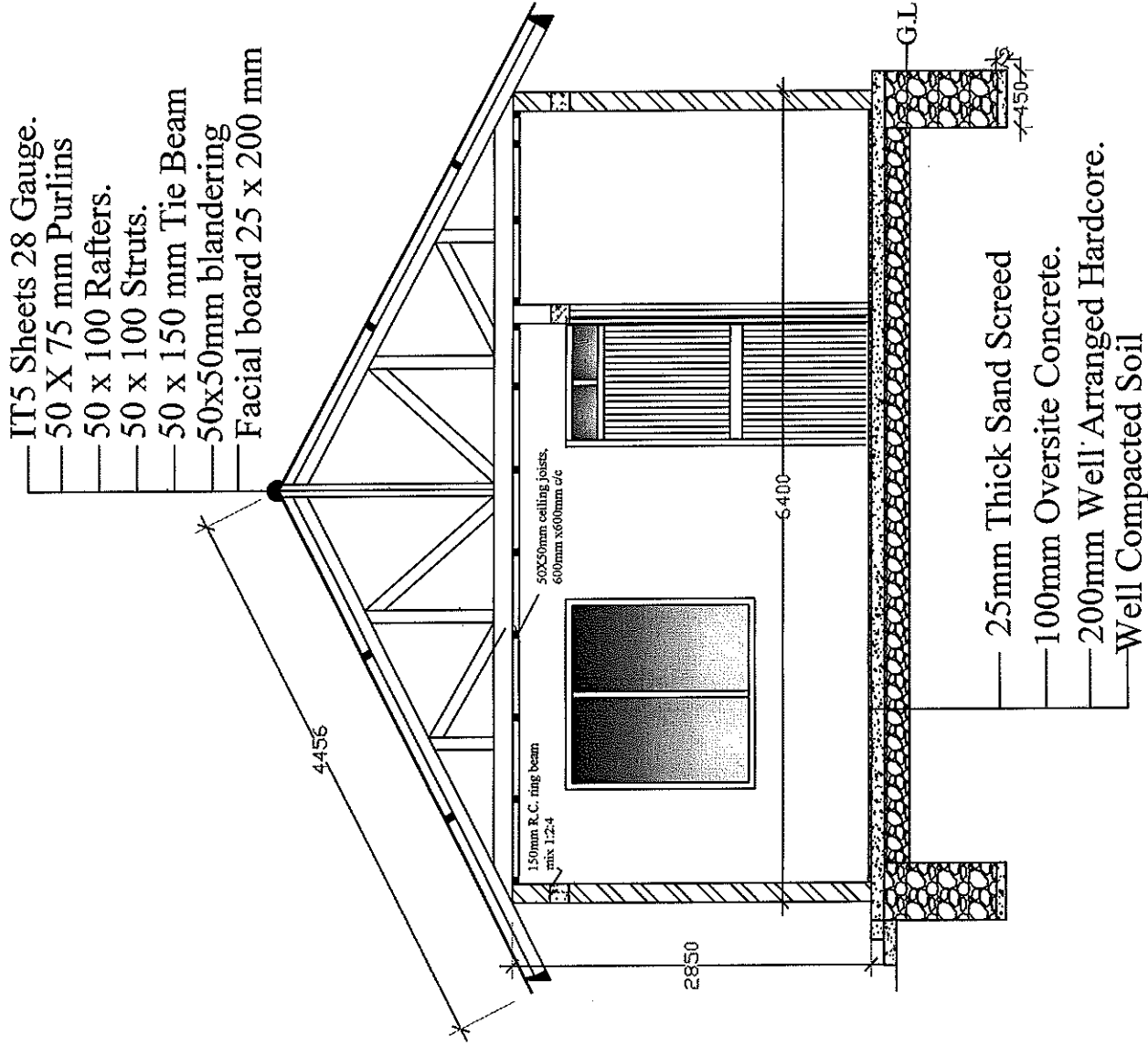


RHS ELEVATION 1:100

**NOTES**

- 1 All measurements are mm unless specified otherwise
- 2 All relevant details, levels & dimensions must be checked on site before commencement of work
- 3 Any discrepancies refer to engineer

REVISION	DESCRIPTION	DATE/SIGN
PROJECT:		
PROPOSED CONSTRUCTION OF LANDING SITE AT KALALANGABO IN KIGOMA DISTRICT		
CLIENT:		
KIGOMA DISTRICT P.O. BOX 24, KIGOMA		
DRAWING TITLE:		
ELEVATIONS		
SCALE: 1:100	DATE: MAR-2019	
DRAWN BY: J. M. MAGATI		
CHECKED BY: ENG. NGUNULA, P.R.		
MEASUREMENTS ARE IN MM	DRAWING NO:	K - 02

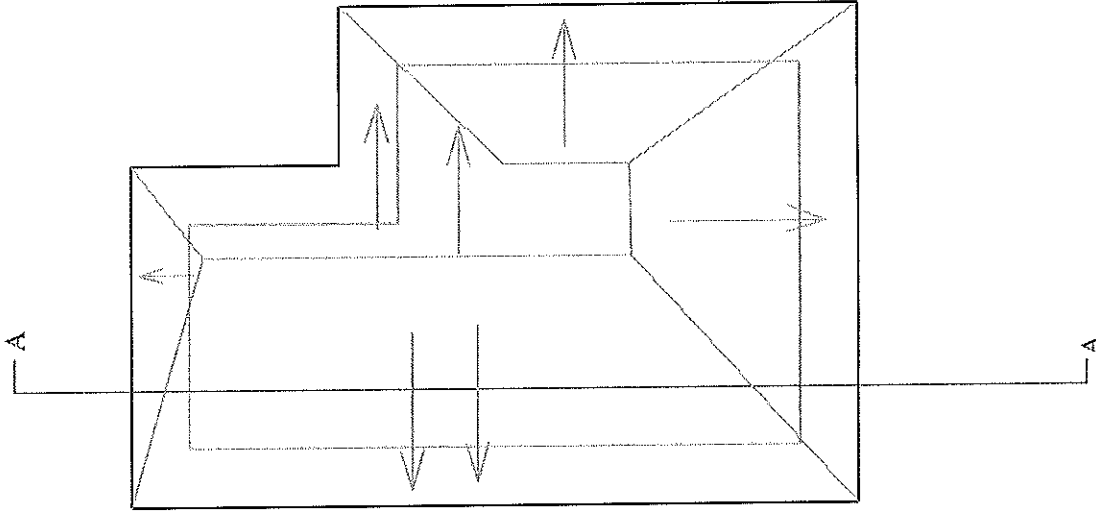


## NOTES

- 1 All measurements are mm unless specified otherwise
- 2 All relevant details, levels & dimensions must be checked on site before commencement of work
- 3 Any discrepancies refer to engineer

REVISION	DESCRIPTION	DATE	SIGN
PROJECT: PROPOSED CONSTRUCTION OF LANDING SITE AT KALALANGABO IN KIGOMA DISTRICT			
CLIENT: KIGOMA DISTRICT P.O. BOX.24, KIGOMA.			
DRAWING TITLE: CROSS SECTION			
SCALE: 1:100		DATE: MAR. 2019	
DRAWN BY : J. M. MAGATI			
CHECKED BY: ENG. NGUNULA. P.R		DRAWING NO:	
MEASUREMENTS ARE IN MM		K - 03	

CROSS SECTION A - A

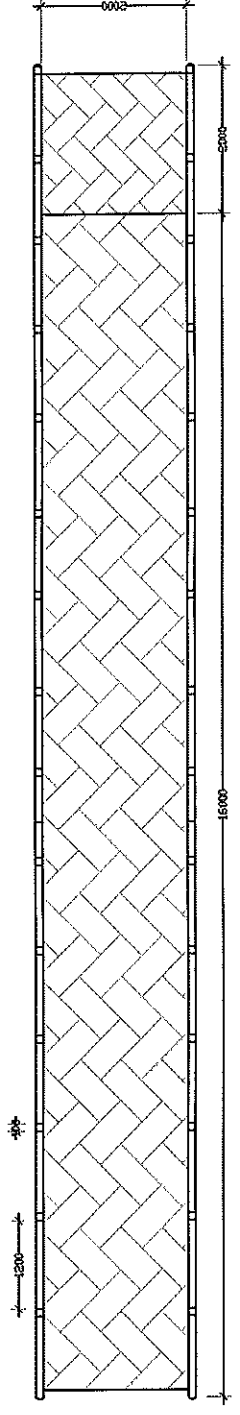
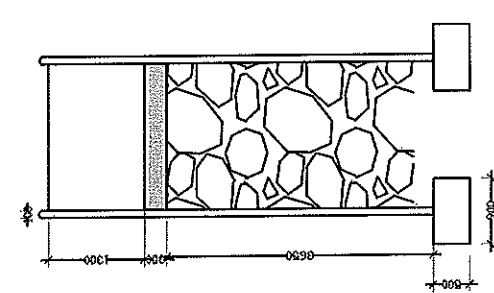
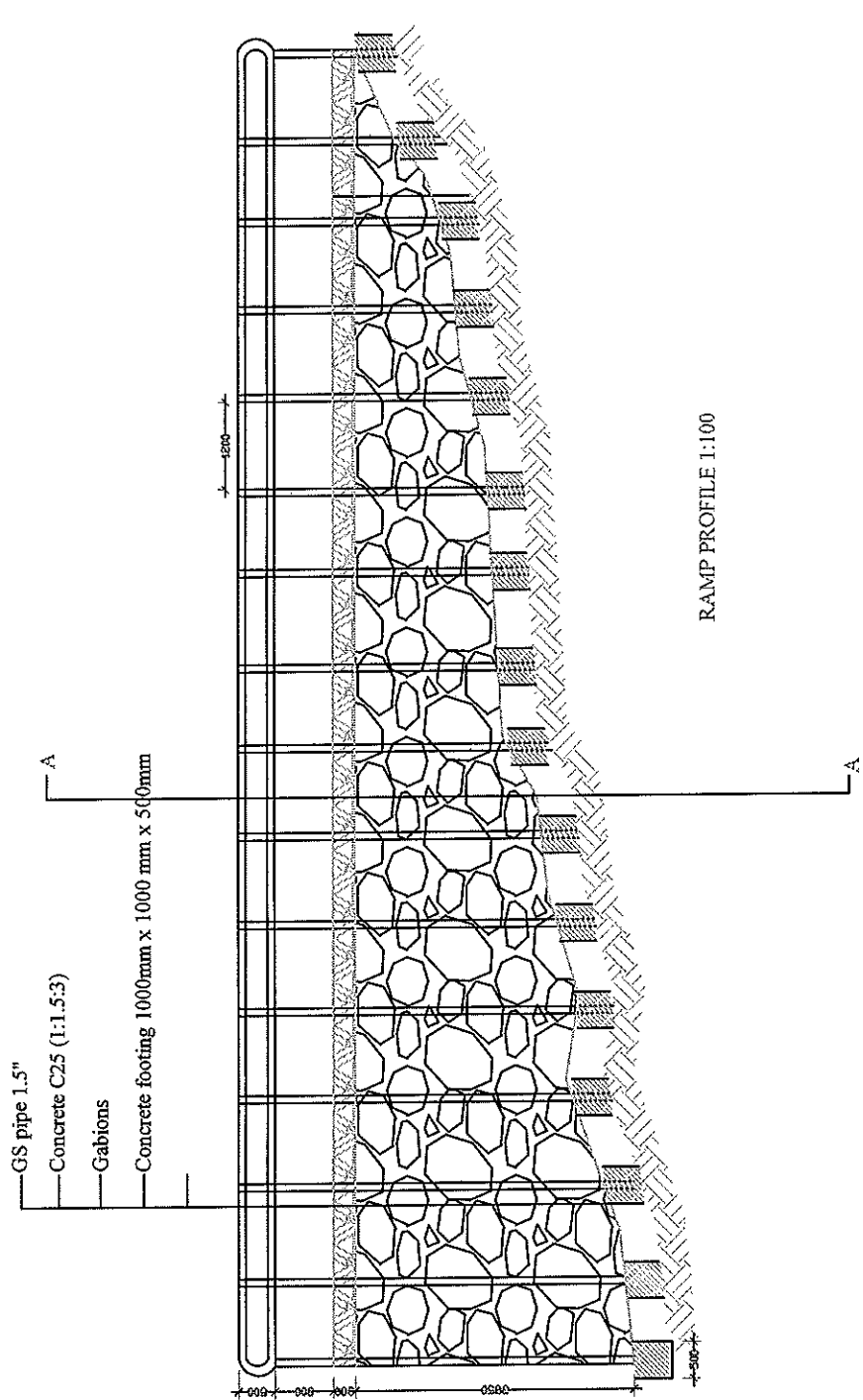


FLOOR PLAN 1:100

**NOTES**

- 1 All measurements are mm
- 2 All relevant details, levels & dimensions must be checked on site before commencement of work
- 3 Any discrepancies refer to engineer

REVISION	DESCRIPTION	DATE	SIGN
PROJECT:			
PROPOSED CONSTRUCTION OF KALALANGABO LANDING SITE TO BE BUILT KIGOMA DISTRICT			
CLIENT: KIGOMA DISTRICT P.O. BOX. 24, KIGOMA.			
DRAWING TITLE: ROOF PLAN			
SCALE: 1:100	DATE: MAR. 2019		
DRAWN BY : J. M. MAGATI			
CHECKED BY: ENG. NGUNULA, P.R			
MEASUREMENTS ARE IN MM	DRAWING NO: K - 04		



NOTES			
1	All measurements are in mm		
2	All relevant details, levels & dimensions must be checked on the site before commencement of work		
3	Any discrepancies refer to Engineer		
REVISION	DESCRIPTION	DATE	SIGN.
PROJECT:			
PROPOSED CONSTRUCTION OF LANDING SITE AT KALALANGABO, KIGOMA DISTRICT			
CLIENT: KIGOMA DISTRICT, P.O. BOX. 74, KIGOMA.			
DRAWING TITLE: RAMP			
SCALE: 1:100	DATE: MAR. 2019		
DRAWN BY: J. M. MAGATI			
CHECKED BY: ENG. NGUNJULA, P.R.			
MEASUREMENTS ARE IN MM	DRAWING NO: K-05		

General Notes

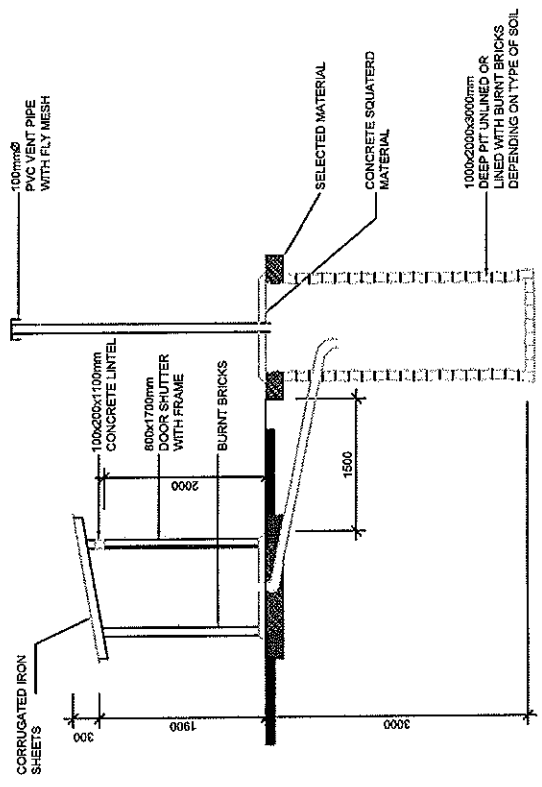
No. Revision/Issue Date

CLIENT  
KIGOMA DISTRICT COUNCIL,  
P. O. Box 24,  
KIGOMA

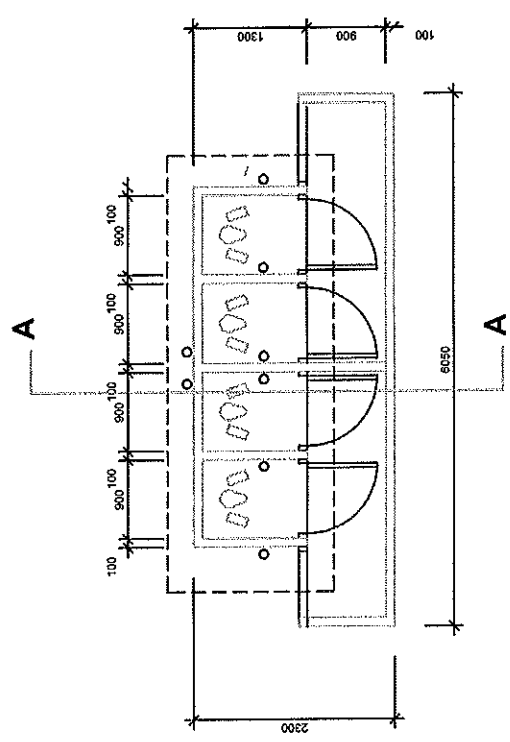
PROJECT  
PROPOSED CONSTRUCTION OF  
LANDING SITE AT KALAJANGAO  
IN KIGOMA DISTRICT

DRAWING TITLE  
PLAN & SECTION OF LATRINES

DATE	DESIGN BY:
MAR. 2019	P. N.
SCALE	DRAWN BY:
AS SHOWN	J. M.
TRAINING NO.	CHECKED BY:
K - 06	P. N.



SECTION A - A



PLAN FOR LATRINE WITH FOUR STANCES

General Notes

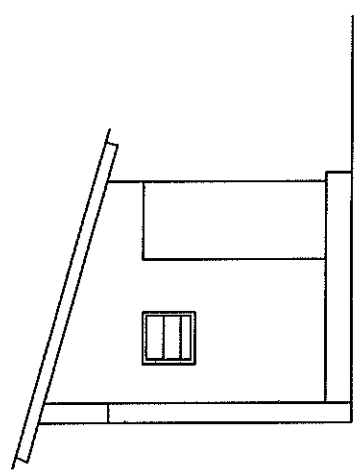
No.	Revision/Issue Date

CLIENT  
KISUMU DISTRICT COUNCIL  
P.O. Box 224  
KISUMU

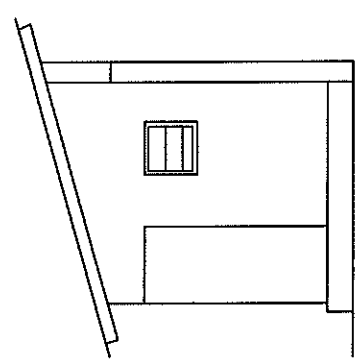
PROJECT  
PROPOSED CONSTRUCTION OF  
LANDING SITE AT KALANGAGO  
IN KISUMU DISTRICT

DRAWING TITLE  
ELEVATIONS OF LATRINES

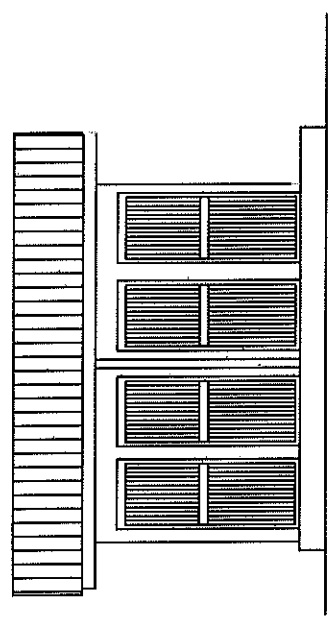
DATE	DESIGN BY
MAR. 2019	P.N
SCALE	DRAWN BY
AS SHOWN	P.N
DRAWING NO.	CHECKED BY
K - 07	P. N



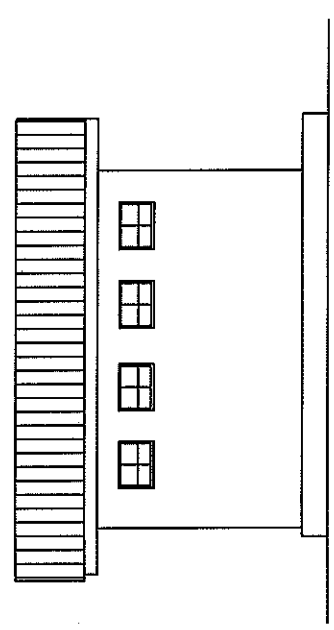
SIDE VIEW



SIDE VIEW



FRONT VIEW



REAR VIEW

CONTRACT:

NOTES

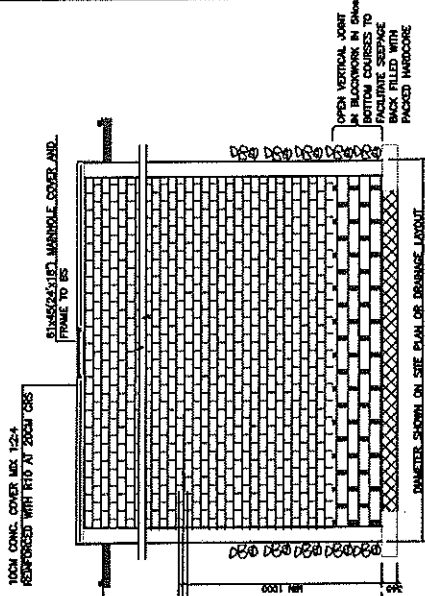
REV.	REVISIONS	REV. DATE	APPROVED
A	PRELIMINARY DESIGN	MARCH 2019	P. N.
	CONSTRUCTION		

KIGOMA DISTRICT COUNCIL  
P. O. BOX 24, KIGOMA

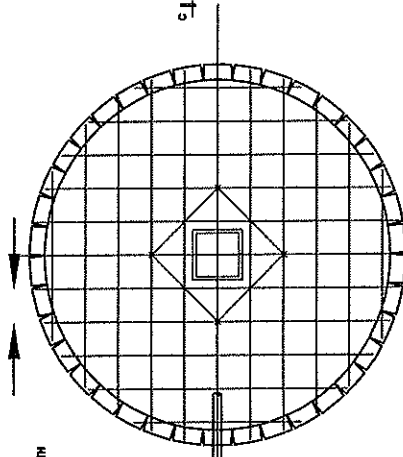
Project: PROPOSED  
CONSTRUCTION OF KALALANGABO  
LANDING SITE IN KIGOMA DC

Drawn by: DETAILS A & B  
Checked by: GENERAL DETAILS  
Scale: All dimensions in mm  
Date: March, 2019

Designed by:	P.N	Drawn by:	J.N
Checked by:	P.M	Approved by:	P.N
Scale:	N.T.S.	Date:	March, 2019
Note:	All dimensions in mm		
Drawn:	DRAWING No. K - 08		



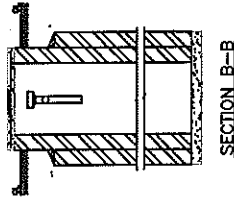
SOAKAGE PIT SECTION C-C



PLAN SOAKAGE PIT

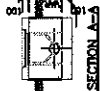
ALL WASTE No. OF USERS	SOIL WASTE ONLY, No. OF USERS	PERCOLATION FACTOR			
		4	9	16	25
1-6	10	2.743	3.048	3.505	3.810
7	20	2.743	3.048	3.505	3.810
15	30	3.048	3.754	4.287	4.810
30	45	3.048	3.754	4.287	4.810
40	60	3.353	4.039	4.727	5.334
50	70	3.353	4.039	4.727	5.334
60	90	3.653	4.420	5.105	5.410
75	105	3.653	4.420	5.105	5.410
					6.706

STD. SOAKAGE PITS SIZE



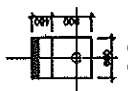
SECTION B-B

RENDERING TO BE GRADE 15 MASS CONCRETE WITH RENDERING 1:3 CEMENT SAND MORTAR

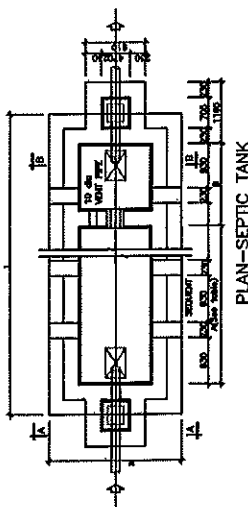


SECTION A-A

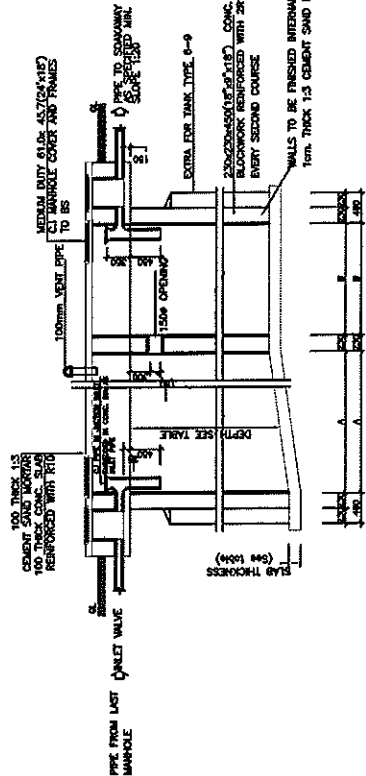
WALLS TO BE FINISHED INTERNALLY WITH 15mm THICK 1:3 CEMENT SAND MORTAR.



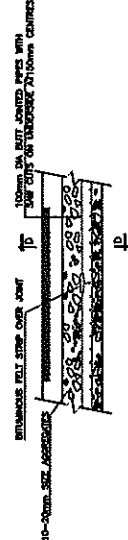
D=D



PLAN-SEPTIC TANK



LONGITUDINAL SECTION



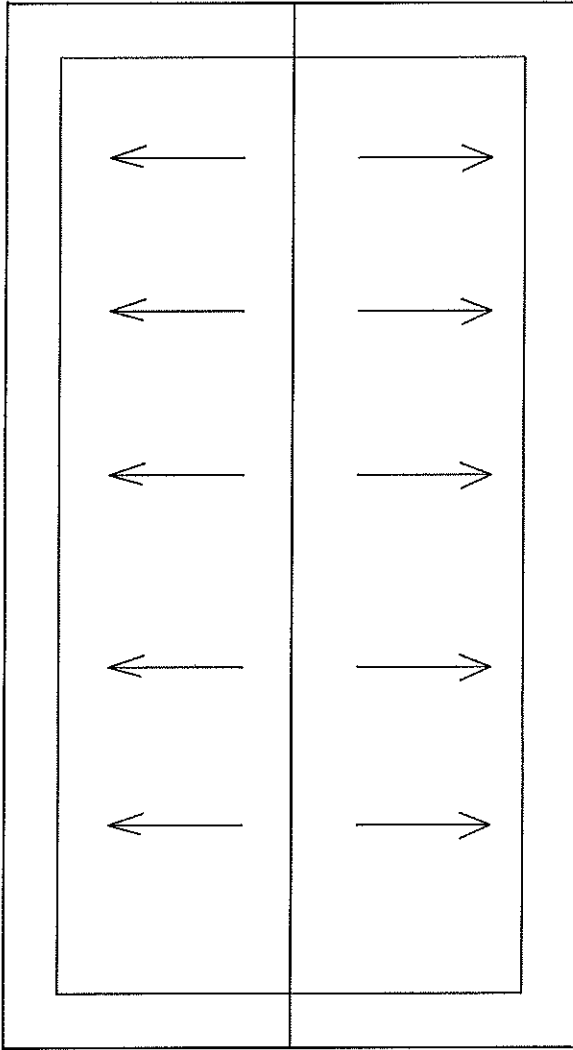
LONGITUDINAL SECTION DRAINAGE TRENCHES (FRENCH DRAIN)

TABLE (cm)

STD TYPE	MAX USER PEOPLE	BASE SLAB FOUNDATION			DEPTH	THICKNESS
		A	B	W		
1	6	200	100	205	150	15
2	10	240	120	205	150	15
3	12	280	140	205	150	15
4	15	280	140	215	160	22.5
5	18	300	150	215	160	22.5
6	21	320	160	225	170	22.5
7	24	340	170	225	170	22.5
8	27	360	180	235	180	22.5
9	30	380	190	235	180	22.5

NB: SEPTIC TANK 6-9 HAVE SUPPORTS ON WIDTH AS INDICATED ON LONGITUDINAL SECTION





### NOTES

- 1 All measurements are mm unless specified otherwise
- 2 All relevant details, levels & dimensions must be checked on site before commencement of work
- 3 Any discrepancies refer to engineer

REVISION	DESCRIPTION	DATE	SIGN
	PROJECT:		
	PROPOSED CONSTRUCTION OF LANDING SITE AT KALALANGABO IN KIGOMA DISTRICT		
	CLIENT:		
	KIGOMA DISTRICT P.O. BOX 24, KIGOMA.		
	DRAWING TITLE:		
	ROOF PLAN VIEW OF MARKET SHED		
	SCALE:	DATE:	
	1:100	MAR. 2019	
	DRAWN BY:		
	J. M. MAGATI		
	CHECKED BY:		
	ENG. NGUNJILA, P.R.		
	MEASUREMENTS	DRAWING NO:	
	ARE IN MM	K - 09-b	

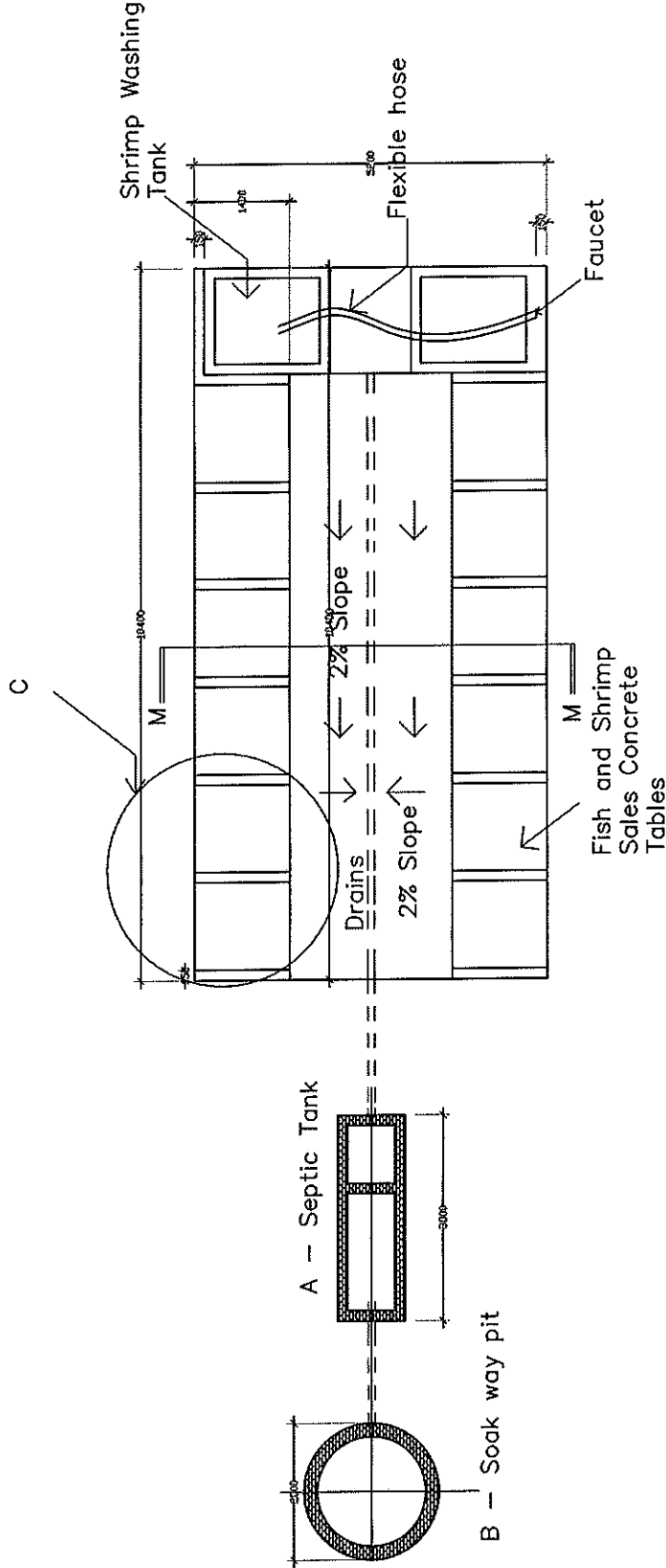
CLIENT:  
KIGOMA DISTRICT  
P.O. BOX 24, KIGOMA.

DRAWING TITLE:  
PLAN VIEW OF MARKET SHED

SCALE: 1:100 DATE: MAR 2019

DRAWN BY: J. M. MAGATI

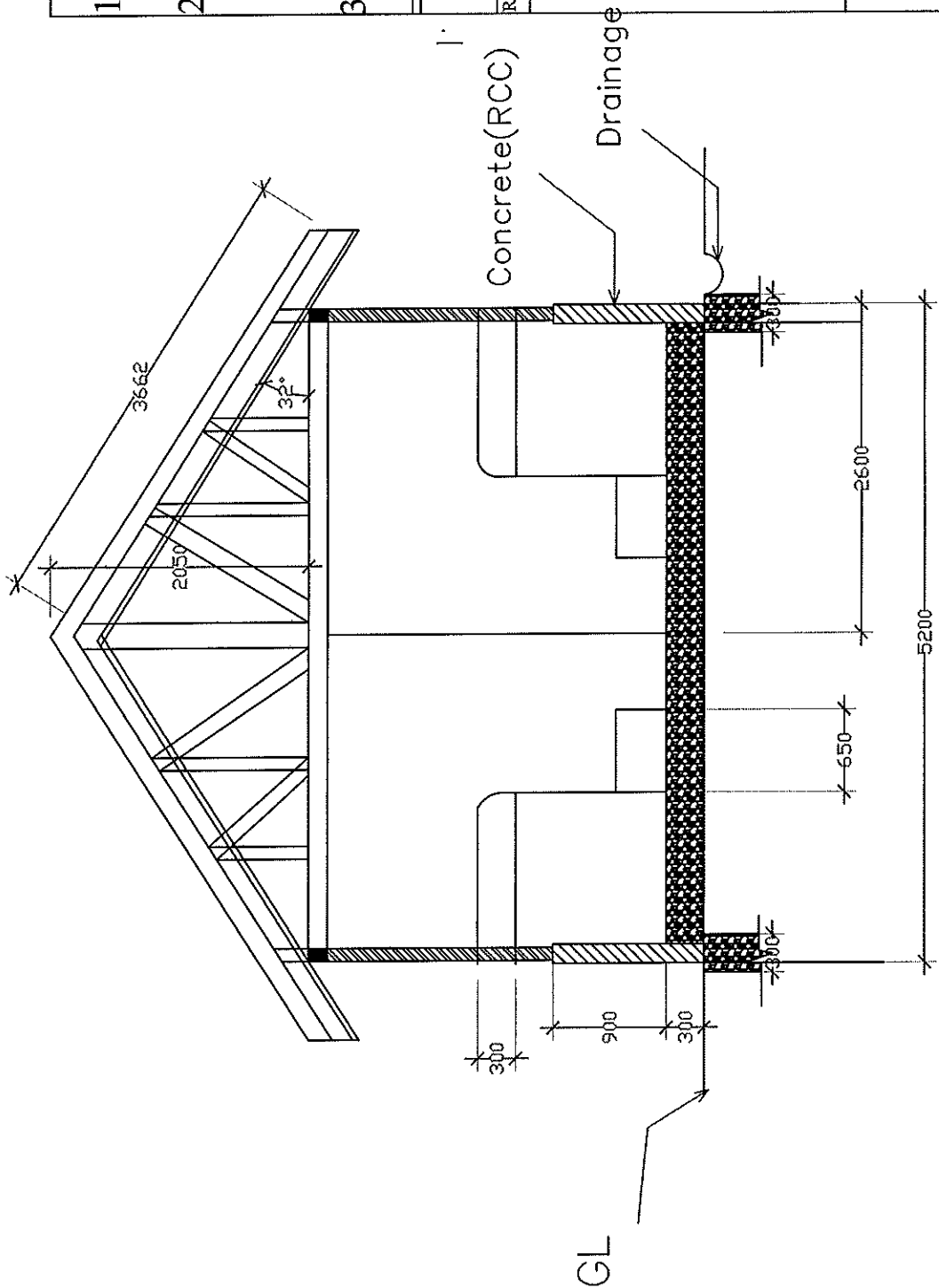
CHECKED BY: ENG. NGUNULA, P.R.  
MEASUREMENTS: DRAWING NO.  
AREA: IN MM<sup>2</sup> K - 09



PLAN

- NOTES**
- All measurements are mm unless specified otherwise
  - All relevant details, levels & dimensions must be checked on site before commencement of work
  - Any discrepancies refer to Engineer

REVISION	DESCRIPTION	DATE	SIGN
PROJECT: PROPOSED CONSTRUCTION OF LANDING SITE AT KALALANGABO IN KIGOMA DISTRICT			
CLIENT: KIGOMA DISTRICT P.O. BOX 24, KIGOMA			
DRAWING TITLE: PLAN VIEW OF MARKET SHED			
SCALE: 1:100 DATE: MAR 2019			
DRAWN BY: J. M. MAGATI			
CHECKED BY: ENG. NGUNULA, P.R. MEASUREMENTS: DRAWING NO. AREA: IN MM <sup>2</sup> K - 09			



SECTION M - M

## NOTES

- 1 All measurements are mm unless specified otherwise
- 2 All relevant details, levels & diamensions must be checked on site before commencement of work
- 3 Any discrepancies refer to engineer

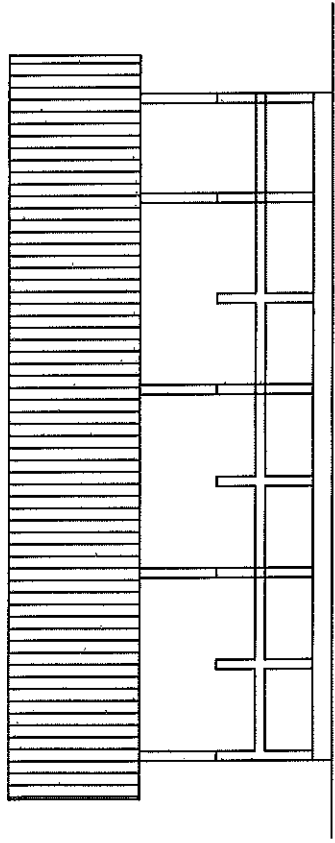
REVISION	DESCRIPTION	DATE	SIGN

PROJECT:  
 PROPOSED CONSTRUCTION OF  
 LANDING SITE AT KALALANGABO  
 IN KIGOMA DISTRICT

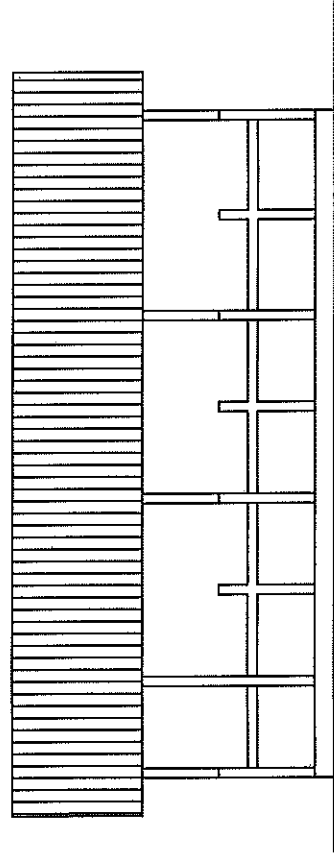
CLIENT:  
 KIGOMA DISTRICT  
 P.O. BOX.24, KIGOMA.

DRAWING TITLE:  
 SECTION

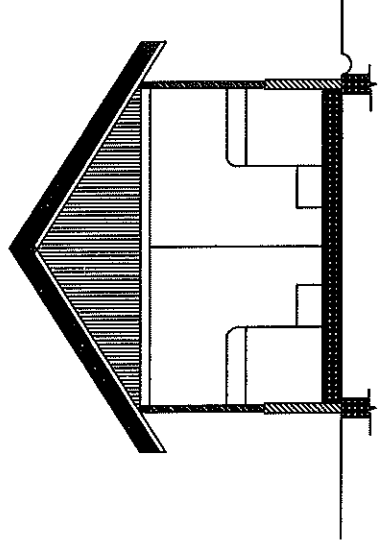
SCALE: 1:100	DATE: MAR.2019
DRAWN BY : J. M. MAGATI	
CHECKED BY: ENG. NGUNULA.P.R	DRAWING NO:
MEASUREMENTS ARE IN MM	K - 10



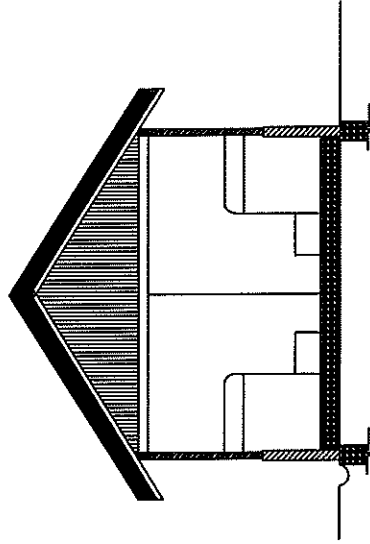
LHS ELEVATION



RHSE ELEVATION



FRON ELEVATION



REAR ELEVATION

REVISION		DESCRIPTION	DATE	SIGN
<b>NOTES</b> 1 All measurements are mm unless specified otherwise 2 All relevant details, levels & dimensions must be checked on site before commencement of work 3 Any discrepancies refer to Engineer				
<b>PROJECT:</b> PROPOSED CONSTRUCTION OF LANDING SITE AT KALALANGABO IN KIGOMA DISTRICT				
<b>CLIENT:</b> KIGOMA DISTRICT P.O. BOX 24, KIGOMA.				
<b>DRAWING TITLE:</b> ELEVATIONS				
<b>SCALE:</b> 1:100 <b>DATE:</b> MAR 2019				
<b>DRAWN BY:</b> J. M. MAGATI				
<b>CHECKED BY:</b> ENG. NGUMULA P.R.				
<b>MEASUREMENTS:</b> DRAWING NO: ARE IN MM    K - 11				

# NOTES

All relevant details, levels & dimensions must be checked on site before commencement of work

REVISION	DESCRIPTION	DATE

PROJECT:  
PROPOSED  
CONSTRUCTION  
OF LANDING  
SITE AT  
KALALANGABO  
IN KIGOMA  
DISTRICT

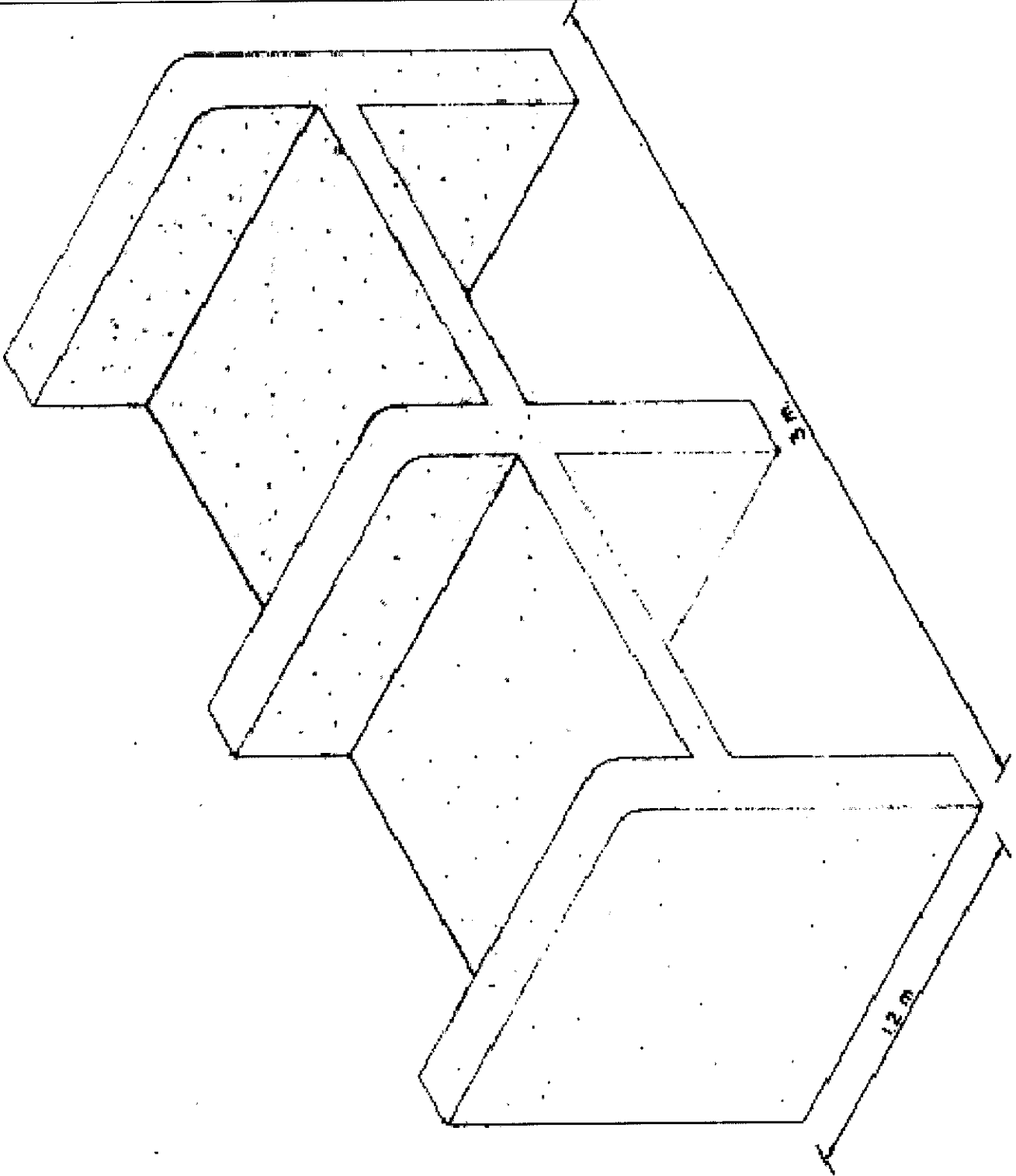
CLIENT:  
KIGOMA DISTRICT  
P.O. BOX.24,  
KIGOMA.

DRAWING TITLE:  
DETAILS D: Fish and  
Slurmp Sales Concrete Table

SCALE: NTS | DATE: MAR, 2019

CHECKED BY: ENG. NGUNULA

MEASUREMENTS ARE IN M | K - 12



CONTRACT CP2

NOTES

- All dimensions are in millimetres unless otherwise stated.
- All concrete to be class C30 unless otherwise stated.

NO.	REVISIONS	DATE	BY	APPROVED

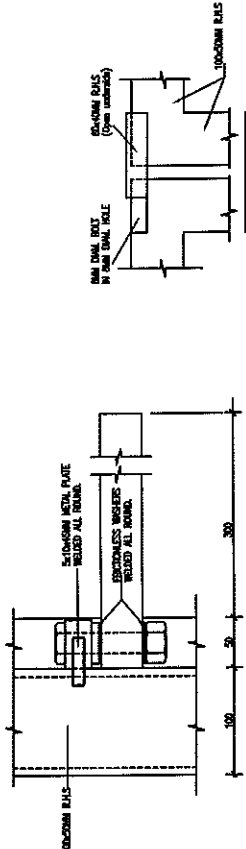
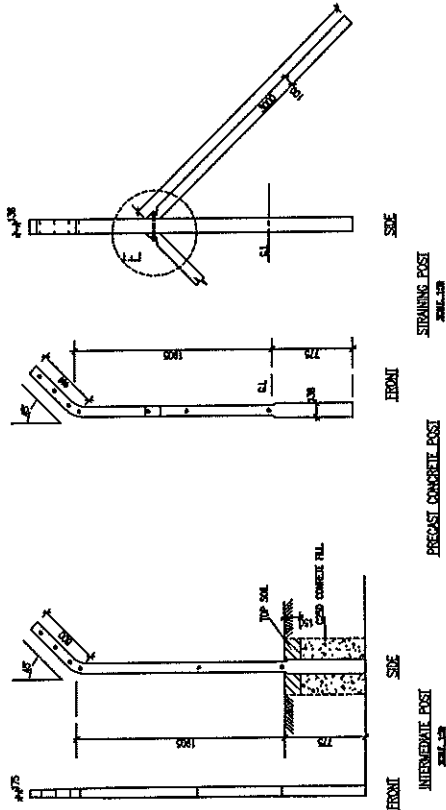
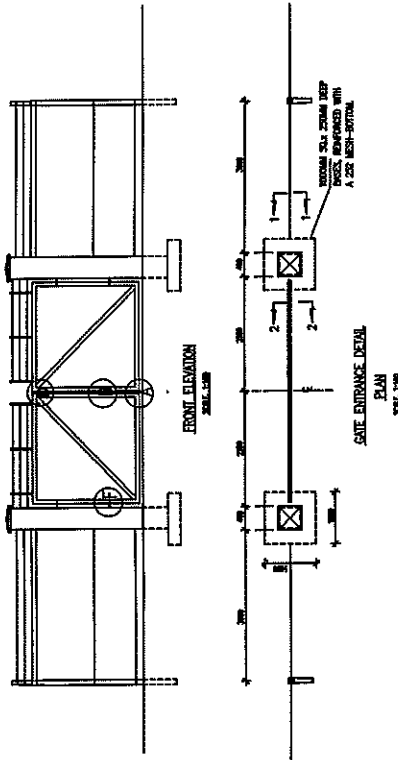
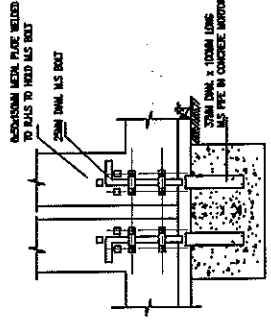
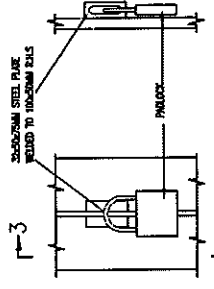
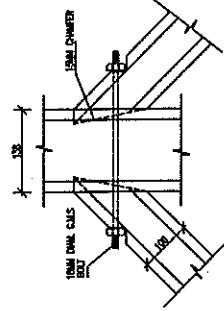
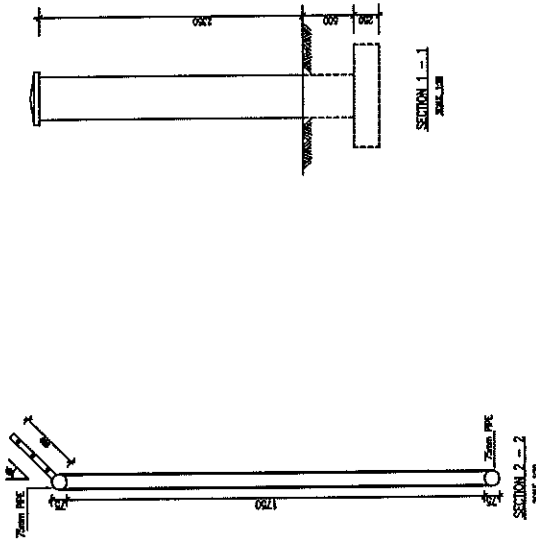
Client:  
KIGOMA DISTRICT COUNCIL  
P. O. Box 332,  
KIGOMA

Project:  
PROPOSED CONSTRUCTION OF LANDING  
SITE AT KALANGABO IN KIGOMA DISTRICT

Consultant:  
DISTRICT ENGINEER

Title:  
KALANGABO LANDING SITE  
FENCING AND GATE DETAILS

Designed by	PRN	Drawn by	UAM
Checked by	PRN	Approved by	PRN
Scale	AS SHOWN	Date	March 2019
STATUS	DRAWING No. K - 13		



SECTION 3 - 3  
SCALE: 1/10

SCALE: 1/5

SCALE: 1/5

SCALE: 1/5